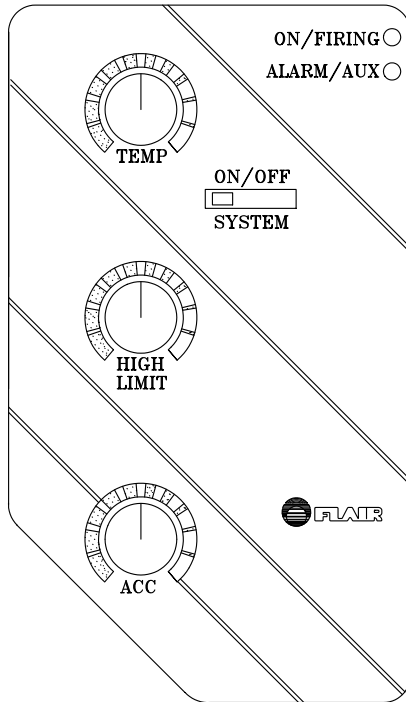


ELECTRONIC SINGLE STAGE CONTROLSTAT *series CE*

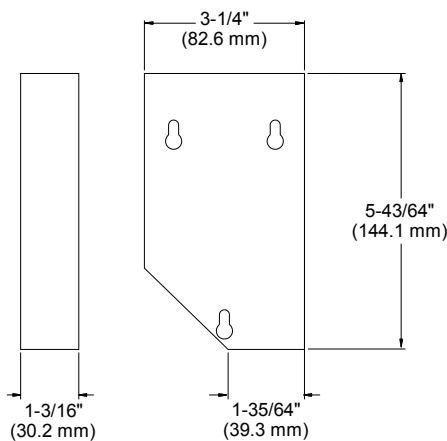
For control of single stage residential and commercial oil and gas fired and electric boilers and furnaces.

BENEFITS & SPECIAL FEATURES

- Limit can be manually or automatically reset—F° and C° scales.
- Set minimum required temperature for auxiliary output.
- Two solid state temperature sensors.
- System status indicators.
- Manual on/off override.
- Alarm contact triggered by accessory input and high limit sensor.
- Alarm contact can be connected to external security system signalling device or dialer.
- Accessory input can be attached to filter monitor, fuel sensor, leak detector, dry fire sensor, Flair Flame Quality Indicator (FQI) or other device.
- Damper (oil and gas models only) interlocked to combustion circuit—opens prior to combustion; closes after combustion to reduce stack losses.



DIMENSIONS

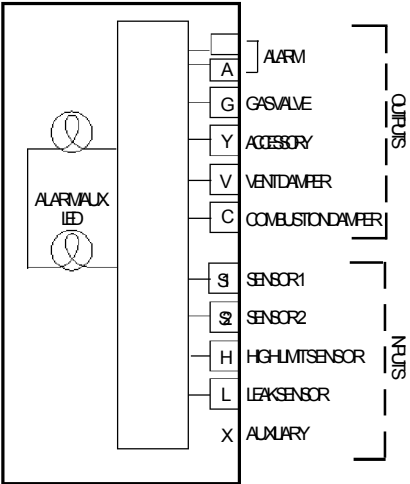


Controlstat

SPECIFICATIONS

Operating Voltage:	24, 115 and 230 vac, 50-60 Hz
Temperature Differential:	approx. $\pm 0.8^{\circ}\text{F}$ ($.4^{\circ}\text{C}$)
Sensor System:	Negative Temperature Coefficient (NTC)
Type:	Well, surface and duct mount sensors are available
Quantity:	1 for temperature control 1 for limit control
Switches:	
Slide:	SYSTEM: ON/OFF set TEMPerature
Rotating:	set HIGH LIMIT temperature set ACCessory temperature
Indicator LED's:	system: ON (Steady Green) / FIRING (Flashing Green) ALARM (Flashing Red)
Alarm function:	Includes 1 latched (manually reset) and 1 unlatched relay contact. Alarm function triggers both relays. Accessory function only triggers unlatched relay.
Dimensions:	5.6 x 2.9 x 1.18 Inches (143.4 x 74.2 x 30.2 mm)
Case:	High impact flame resistant ABS
Color:	matte black

MODEL NUMBERS AND DESCRIPTIONS FOR VARIOUS APPLICATIONS



Model Number:
 CSESGB02 Gas Boilers
 CSESGF02 Gas Furnaces

Description: For gas-fired boilers and furnaces

Temperature Range:
 Operating range: 100 °F - 220 °F
 High limit: 180 °F - 220 °F
 Accessory: 100 °F - 180 °F

CSESGW02 Residential Gas Water Heaters

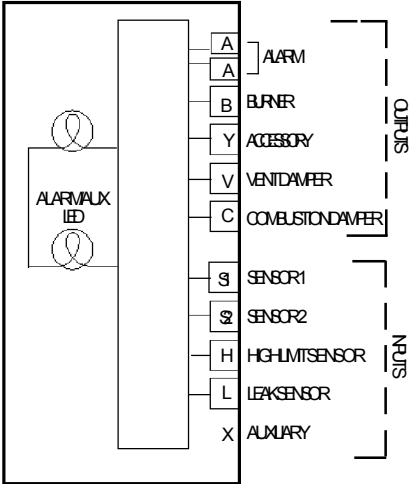
Temperature Range:
 Operating range: 100 °F - 160 °F
 High limit: 200 °F
 Accessory: 100 °F - 140 °F

CSESGW02 Commercial Gas Water Heaters

Temperature Range:
 Operating range: 100 °F - 180 °F
 High limit: 200 °F
 Accessory: 100 °F - 160 °F

Switching Current at 24 VAC:
 Gas valve: 1 A
 Pump/Fan: 10 A
 Vent damper: 1 A
 Combustion damper: 1 A

Weight: .4 lbs. (880 g)



Model Number:
 CSES0B04 Oil Boilers
 CSES0F04 Oil Furnaces

Description: For oil-fired boilers and furnaces

Temperature Range:
 Operating range: 100 °F - 220 °F
 High limit: 180 °F - 220 °F
 Accessory: 100 °F - 180 °F

CSESGW04 Residential Oil Water Heaters

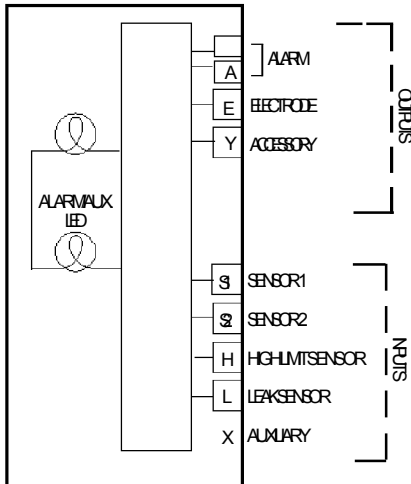
Temperature Range:
 Operating range: 100 °F - 160 °F
 High limit: 200 °F
 Accessory: 100 °F - 140 °F

CSESGW04 Commercial Oil Water Heaters

Temperature Range:
 Operating range: 100 °F - 180 °F
 High limit: 200 °F
 Accessory: 100 °F - 160 °F

Switching Current at 120 VAC:
 Burner: 10 A
 Pump/Fan: 10 A
 Vent damper: 1 A
 Combustion damper: 1 A

Weight: .4 lbs. (880 g)



Model Number:
 CSESEB04 Electric Boilers
 CSESEB07 Electric Boilers
 CSESEF04 Electric Furnaces
 CSESEF07 Electric Furnaces

Description: For electric boilers and furnaces

Temperature Range:
 Operating range: 100 °F - 220 °F
 High limit: 180 °F - 220 °F
 Accessory: 100 °F - 180 °F

Residential Electric Water Heaters
 CSESEW04 115VAC
 CSESEW07 230VAC

Temperature Range:
 Operating range: 100 °F - 220 °F
 High limit: 180 °F - 220 °F
 Accessory: 100 °F - 180 °F

Switching Current at 120 VAC:
 Burner: 10 A
 Pump/Fan: 10 A

Weight: .4 lbs. (880 g)

ACCESSORIES

Temperature Sensor	
Immersion (well)	XXXXXXXX
Surface mount	XXXXXXXX
Duct mount	XXXXXXXX
Auxiliary Relay	XXXXXXXX
Leak Sensor	XXXXXXXX
Transformers:	
40 VA	TR140100
20 VA	TR120100
Relay Transformers:	
20 VA (2) SPST 120 VAC relay	TR440200
20 VA (1) SPST 120 VAC relay	TR440300

REFERENCES

For More Information On:	See: _____
Other controllers for two-stage and proportional systems	This section
Zone Actuators	Star Actuator section
Zone Valves	Star Valve section
Wiring Panels	Control Panels section
Weather Compensation Controls	Weather Compensation Controls section
Warranty & pricing	Pricing and terms section

Flair pursues a policy of constant improvement. For this reason, all specifications are subject to change without notice.



FLAIR

FLAIR INTERNATIONAL CORPORATION

600 Old Willets Path • Hauppauge, New York 11788 • Tel: (516) 234-3600 • Fax: (516) 234-3610