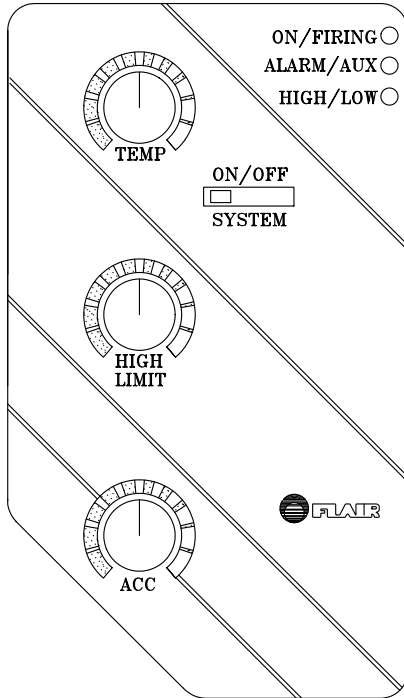


ELECTRONIC

CONTROLSTAT *series CSMSW*

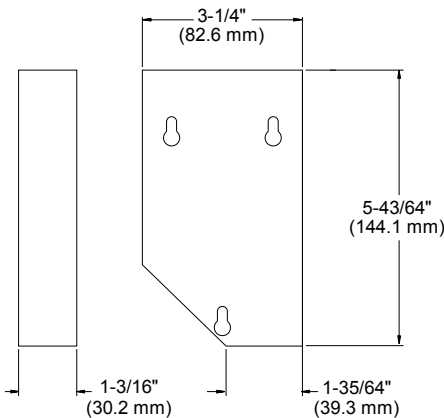
For timed control of single stage oil and gas fired and electric water heaters.



BENEFITS & SPECIAL FEATURES

- Limit can be manually or automatically reset.
- Set minimum required temperature for auxiliary output.
- Two solid state temperature sensors plus a separate limit sensor.
- System status indicators.
- Constant and resetable hour meters for routine maintenance reminders and efficiency measurement.
- Learned response feature adjusts for changing demands and response times.
- Manual on/off override.
- High and low limit alarm and accessory inputs can be connected to external security system signalling device or dialer.
- Alarm contact can be latched or unlatched.
- Accessory input can be attached to filter monitor, fuel sensor, or Flair Flame Quality Indicator (FQI) or other device.
- Damper (oil and gas models only) interlocked to combustion circuit—opens prior to combustion; closes after combustion to reduce stack losses.

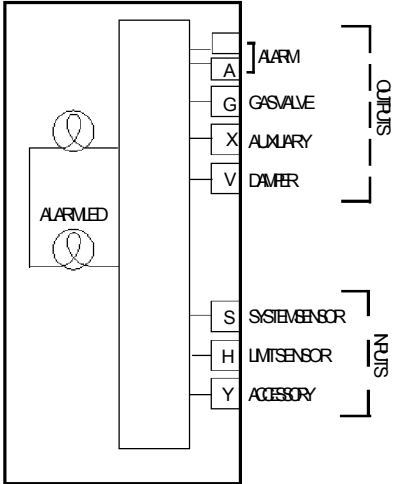
DIMENSIONS



SPECIFICATIONS

Operating Voltage:	24, 115 vac (-15%, +10%, 50-60 Hz)
Temperature Differential:	approximately $\pm 0.8^{\circ}\text{F}$ ($.4^{\circ}\text{C}$)
Sensor System:	Negative Temperature Coefficient (NTC)
Type:	Well, or Surface mount
Quantity:	2 for temperature control 1 for limit control
Switches:	
Push-button:	MODE/CLOCK/SELECT/PROG/UP/DOWN
Push-button:	SYSTEM: ON/OFF
Indicator LED's:	ON (Steady Green) / FIRING (Flashing Green) ALARM (Red)
Alarm function:	May be sel for latched (manually reset) or unlatched (automatically reset) operation
Dimensions:	$5\frac{43}{64} \times 3\frac{1}{4} \times 1\frac{3}{16}$ Inches (144.1 x 82.6 x 30.2 mm)
Case:	High impact flame resistant ABS
Color:	matte white

MODEL NUMBERS AND DESCRIPTIONS FOR VARIOUS APPLICATIONS



Gas Water Heaters CSPSGW02

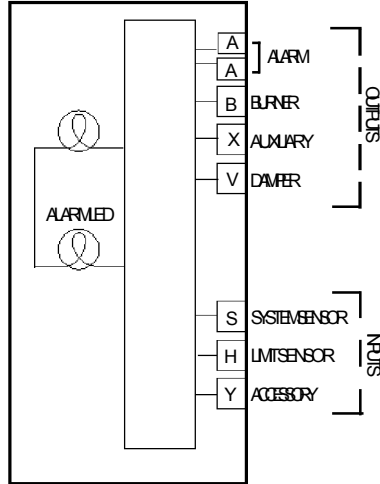
Temperature Range:

System: 100° F - 180° F
 High limit: 180° F - 200° F
 Low limit: Off - 90° F
 Accessory: 100° F - 140° F

Switching Current at 24 VAC:

Gas valve: 1 A
 Accessory: 10 A
 Vent damper: 1 A
 Combustion damper: 1 A
 Alarm: 1 A

Weight: .4 lbs. (880 g)



Oil Water Heaters CSPSOW04

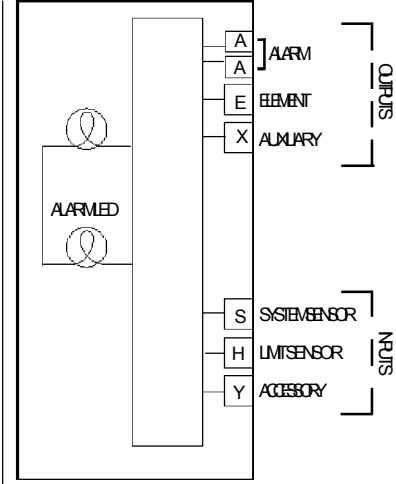
Temperature Range:

System: 100° F - 180° F
 High limit: 180° F - 200° F
 Low limit: Off - 90° F
 Accessory: 100° F - 140° F

Switching Current at 120 VAC:

Burner: 10 A
 Accessory: 10 A
 Vent damper: 1 A
 Combustion damper: 1 A
 Alarm: 1 A

Weight: .4 lbs. (880 g)



Electric Water Heaters CSPSEW04
 Electric Water Heaters CSPSEW07

Temperature Range:

System: 100° F - 180° F
 High limit: 180° F - 200° F
 Low limit: Off - 90° F
 Accessory: 100° F - 140° F

Switching Current at 120 VAC:

Element Relay: 1 A
 Auxiliary: 1 A
 Alarm: 1 A

Weight: .4 lbs. (880 g)

NOTE: On startup and recovery from setback heater operates lower element until set point is reached then cycles higher element.



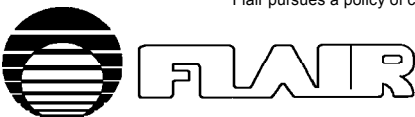
ACCESSORIES

Temperature Sensor:	
Immersion (well)	TX101031
Surface mount	TX101041
Leak Sensor	TX107001
Auxiliary Relays	
SPST 24/24 VAC 10 amps	
SPST 24/120 VAC 10 amps	
SPST 120/120 VAC 10 amps	
Transformers:	
40 VA	TR140100
20 VA	TR120100
Relay Transformers:	
20 VA (2) SPST 120 VAC relay	TR440200
20 VA (1) SPST 120 VAC relay	TR440300
40 VA (1) SPST 24 VAC relay & (1) SPST 120 VAC relay	TR440100
Telephone Dialer:	XXXX
Siren:	XXXX

REFERENCES

For More Information On:	See:
Other controllers for multi-stage and proportional systems	This section
Sensors	This section
Zone Actuators	Star Actuator section
Zone Valves	Star Valve section
Wiring Panels	Control Panels section
Weather Compensation Controls	Weather Compensation Controls section
Warranty & pricing	Pricing and terms section

Flair pursues a policy of constant improvement. For this reason, all specifications are subject to change without notice.



FLAIR INTERNATIONAL CORPORATION

600 Old Willets Path • Hauppauge, New York 11788 • Tel: (516) 234-3600 • Fax: (516) 234-3610

CSPSP2