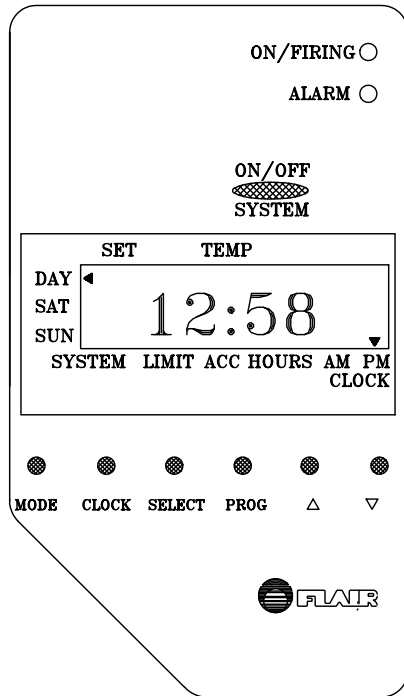


## ELECTRONIC PROGRAMMABLE PROPORTIONAL CONTROLSTAT series CSPPB, CSPPF

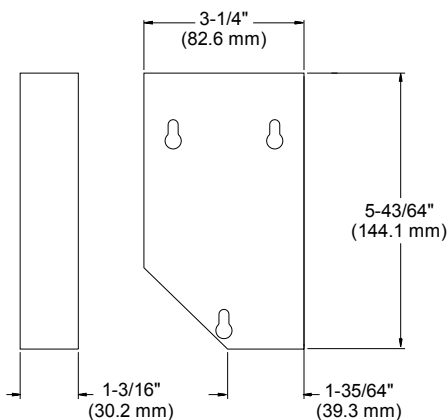
For programmed, proportional control of oil and gas fired boilers and furnaces.



### BENEFITS & SPECIAL FEATURES

- Proportional output provides fast and accurate positioning for zone actuators and valves.
- Proportional integral control eliminates overshoot and droop.
- Adjustable dead band prevents overlapping between heating and cooling modes.
- Adjustable differential band.
- Set and display system temperatures.
- Display temperatures in F° or C°.
- Control, monitor, and display high and low limit temperatures.
- Set minimum required temperature for auxiliary output.
- Two sensors may be selected or averaged.
- 4 daily programs for M-F, Sat. and Sun.
- Digital 12/24 hour real time clock.
- Five year lithium battery.
- Easy programming—Easy setting.
- Large, easy to read, LCD display.
- System status indicators.
- Constant and resettable hour meters for routine maintenance reminders and efficiency measurement.
- Learned response feature adjusts for changing demands and response times.
- Manual on/off override.
- Temporary override with automatic resumption of program.
- Program hold—overrides program for up to 365 days.
- Electronic limiting and locking with 4 digit security password.
- High and low limit monitors and leak sensor (optional) trigger alarm function.
- Alarm and accessory inputs can be connected to external security system signalling device or dialer.
- Accessory input can be attached to filter monitor, fuel sensor, or flame quality indicator.

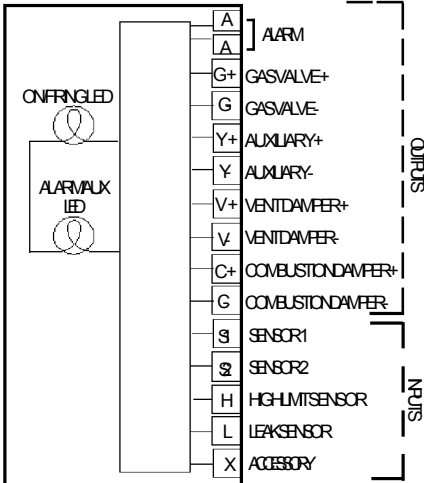
### DIMENSIONS



### SPECIFICATIONS

Operating Voltage:	24 vac (-15%, +10%, 50-60 Hz)
Output:	0-10 Vdc or 4-20mA
Temperature Differential:	
Accuracy:	approximately ±0.8°F (.4°C)
Sensor System:	Negative Temperature Coefficient (NTC)
Type:	(2) external—may be selected or averaged
Switches:	
Push-button:	MODE/CLOCK/SELECT/PROG/UP/DOWN
Push-button:	SYSTEM: ON/OFF
Rotating:	set TEMPERATURE
Indicator LED's:	ON (Steady Green) / FIRING (Flashing Green) ALARM (Red)
Display:	LCD, 4 character, .5" (1.27 cm) height.
Alarm function:	Triggered if either minimum temperature (freeze protection) or high limit (safety) is exceeded or leak sensor is triggered with option for trigger or accessory input
Security:	Electronic temperature limiting and locking with 4 digit password. Program locking.
Dimensions:	5 <sup>43/64</sup> x 3 <sup>1/4</sup> x 1 <sup>3/16</sup> Inches (144.1 x 82.6 x 30.2 mm)

# MODEL NUMBERS AND DESCRIPTIONS FOR VARIOUS APPLICATIONS

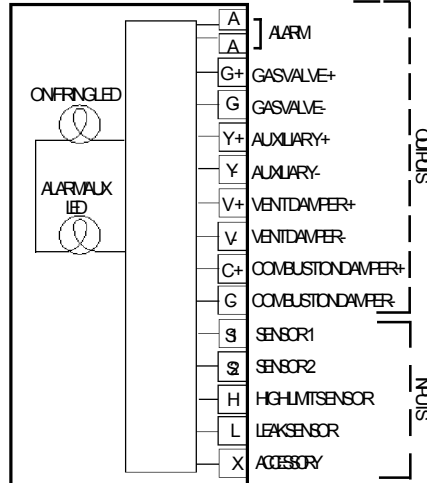


Model Number For:  
 Gas Boilers CSPPPB02  
 Gas Furnaces CSPPPGF02

Temperature Range:  
 System: 100 °F - 220 °F  
 High limit: 180 °F - 220 °F  
 Accessory: 100 °F - 180 °F

Switching Current at 24 VAC:  
 Gas valve: 1 A  
 Auxiliary: 10 A  
 Vent damper: 1 A  
 Combustion damper: 1 A

Weight: .4 lbs. (880 g)

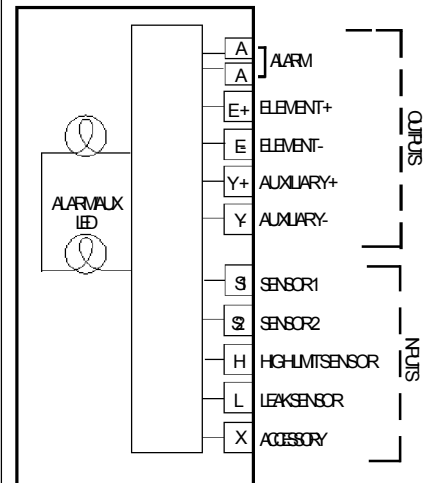


Model Number For:  
 Oil Boilers CSPPOB04  
 Oil Furnaces CSPPOF04

Temperature Range:  
 System: 100 °F - 220 °F  
 High limit: 180 °F - 220 °F  
 Accessory: 100 °F - 180 °F

Switching Current at 120 VAC:  
 Burner: 10 A  
 Auxiliary: 10 A  
 Vent damper: 1 A  
 Combustion damper: 1 A

Weight: .4 lbs. (880 g)



Model Number For:  
 Electric Boilers CSPPEB04  
 Electric Boilers CSPPEB07  
 Electric Furnaces CSPPEF04  
 Electric Furnaces CSPPEF07

Temperature Range:  
 System: 100 °F - 220 °F  
 High limit: 180 °F - 220 °F  
 Auxiliary: 100 °F - 180 °F

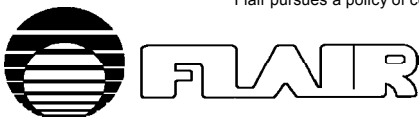
Switching Current at 120 VAC:  
 Element Relay: 10 A  
 Auxiliary: 10 A

Weight: .4 lbs. (880 g)



ACCESSORIES		REFERENCES	
Temperature Sensor:		For More Information On:	See:
Duct mount	TX101012	Other controllers for multi-stage and proportional systems	This section
Immersion (well)	TX101031	Zone Actuators	Star Actuator section
Surface mount	TX101041	Zone Valves	Star Valve section
Auxiliary Relays:		Wiring Panels	Control Panels section
SPST 24/24 VAC 10 amps		Weather Compensation Controls	Weather Compensation Controls section
SPST 24/120 VAC 10 amps		Warranty & pricing	Pricing and terms section
SPST 120/120 VAC 10 amps			
Leak Sensor	TX107001		
Transformers:			
40 VA	TR140100		
20 VA	TR120100		
Relay Transformers:			
20 VA (2) SPST 120 VAC relay	TR440200		
20 VA (1) SPST 120 VAC relay	TR440300		
40 VA (1) SPST 24 VAC relay & (1) SPST 120 VAC relay	TR440100		

Flair pursues a policy of constant improvement. For this reason, all specifications are subject to change without notice.



FLAIR INTERNATIONAL CORPORATION

600 Old Willets Path • Hauppauge, New York 11788 • Tel: (516) 234-3600 • Fax: (516) 234-3610

CSPPP2