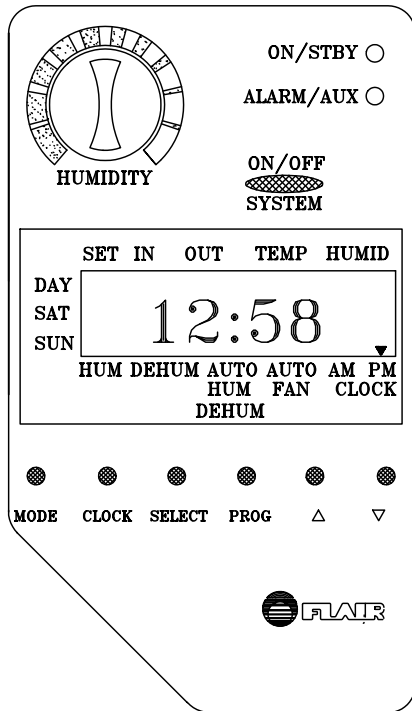


PROGRAMMABLE

HUMIDITY CONTROLLER series TP00

For central (main) or zoned control of humidification and dehumidification systems.



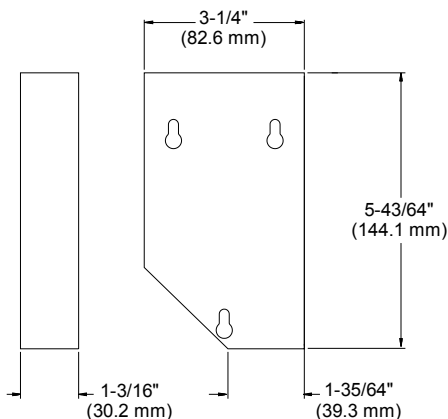
BENEFITS & SPECIAL FEATURES

- 4 daily programs for M-F, Sat. and Sun.
- Digital 12/24 hour real time clock.
- Duty cycling fan program.
- Temperature compensation.
- 4 minute automatic time delay for compressor protection (may be bypassed).
- Ten year lithium battery for back up during power outages.
- Large, easy to read, LCD display.
- Humidity display—set point, inside and outside air—in relative %.
- System status indicators.
- Learned response feature adjusts for changing climate.
- Manual on/off override.
- Temporary override with automatic resumption of program.
- Vacation mode—up to 365 days.
- Electronic Program and Humidity limiting and locking.
- Low and high limit humidity alarms can activate a dry contact to switch an external control.
- Remote humidity sensor (optional).
- Continuous (on) or intermittent (auto) fan control.
- No sub-base required.
- Attractive modern design.

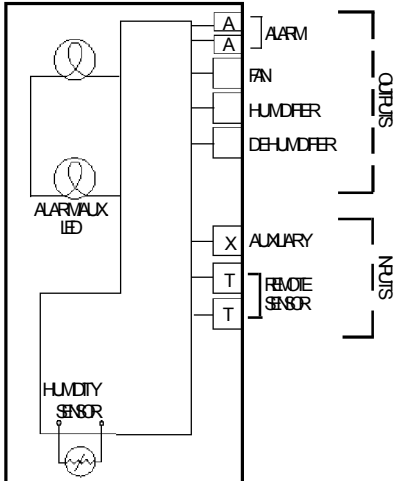
SPECIFICATIONS

Operating Voltage:	24 vac (-15%, +10%, 50-60 Hz)
Temperature Range:	50°F - 90°F (10°C - 32°C)
Humidity Range:	5% - 95%
Temperature Differential:	approximately ±0.8°F (.4°C)
Humidity Differential:	± 3% between 30%-60% RH
Sensor System:	
Temperature:	Negative Temperature Coefficient (NTC)
Humidity:	
Standard:	Internal
Optional:	Remote
Optional:	Outside Air
Compressor Protection:	switched 4 minute time delay
Switches:	
Push-button:	MODE/CLOCK/SELECT/PROG/UP/DOWN
Push-button:	SYSTEM: ON/OFF
Rotary:	HUMIDITY +/-
Indicator LED's:	ON (Steady Green) / STBY (Flashing Green) ALARM (Flashing Red) / AUX (Steady Red)
Display:	LCD, 4 character, .5" (1.27 cm) height.
Security:	Electronic humidity limiting and locking with user code. Program locking.
Dimensions:	5 ⁴³ / ₆₄ x 3 ¹ / ₄ x 1 ³ / ₁₆ Inches (144.1 x 82.6 x 30.2 mm)
Material:	High impact flame retardant ABS
Case:	Matte White

DIMENSIONS



MODEL NUMBERS AND DESCRIPTIONS FOR VARIOUS APPLICATIONS



Model Number: TP001120
 Description: 1 stage heat, 1 stage cool temperature and humidity controller

Switching Current at 24 VAC:
 Humidifier 1 Amp
 Dehumidifier 1 Amp
 Fan: 1 Amp
 Alarm: 1 Amp
 Auxiliary: 1 Amp
 Weight: .4 lbs. (880 g)

ACCESSORIES

Remote Humidity Sensor	TX102001
Return Air Humidity Sensor	TX102011
Outside Air Humidity Sensor	TX102021
Backplates may be used to cover large holes in walls or mount to utility boxes:	
horizontal	TX201001
vertical	TX202001
square	TX203001
Transformers:	
40 VA	TR140100
20 VA	TR120100
Relay Transformers:	
20 VA (2) SPST 120 vac relay	TR440200
20 VA (1) SPST 120 vac relay	TR440300

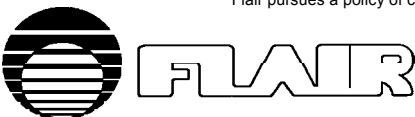
APPLICATIONS

- Central (main) humidification and dehumidification.
- Zone humidification and dehumidification.
- Residential (Single or multi-family, Apartments, Condominiums, Co-ops).
- Commercial (Stores, Restaurants, Offices).
- Industrial
- Institutional (Hospitals, Hotels, Motels).

REFERENCES

For More Information On:	See:
Wiring, jumper, settings and applications	Instruction sheet
Other thermostats	This section
Zone Actuators	Star Actuator section
Zone Valves	Star Valve section
Wiring Panels	Control Panels section
Warranty & pricing	Pricing & Terms section

Flair pursues a policy of constant improvement. For this reason, all specifications are subject to change without notice.



FLAIR INTERNATIONAL CORPORATION

600 Old Willets Path • Hauppauge, New York 11788 • Tel: (516) 234-3600 • Fax: (516) 234-3610