

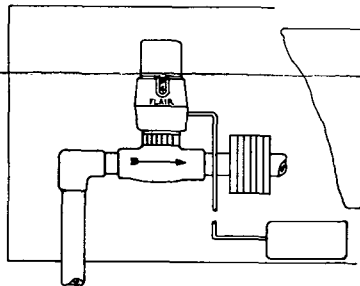
INSTALLATION INSTRUCTIONS

Remote Sensing, Non-Electric, Zone Valve For Baseboard Installation

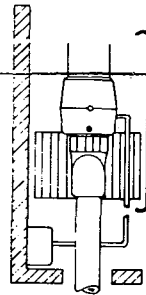
1. The valve should be installed directly in the baseboard, as near the middle of the loop as possible preferably within the main living area.
2. The valve body must be installed with the directional arrow pointing in the direction of water flow.
3. Sweat the valve body in place before attaching the operator.
4. Fit the operator onto the valve body and securely tighten the locking ring **BY HAND**. Position the setting indicator so that it is visible.
5. Extend the capillary tube so that the remote sensing bulb is suspended directly under the baseboard element, in the return air flow. (The bulb is enclosed in a preassembled plastic housing with a magnetic backing which will hold it in place against the back wall of the baseboard.)
6. Set valve at initial setting of "4".
7. Mount baseboard cover.

Note: System must be designed for constant circulation. Modulating water temperature should be used if most accurate room temperature control is to be attained. Set point numbers are factory adjusted to 70°F at a setting of "4" for an average installation. In unusual cases, where this setting has to be adjusted, the following steps should be taken:

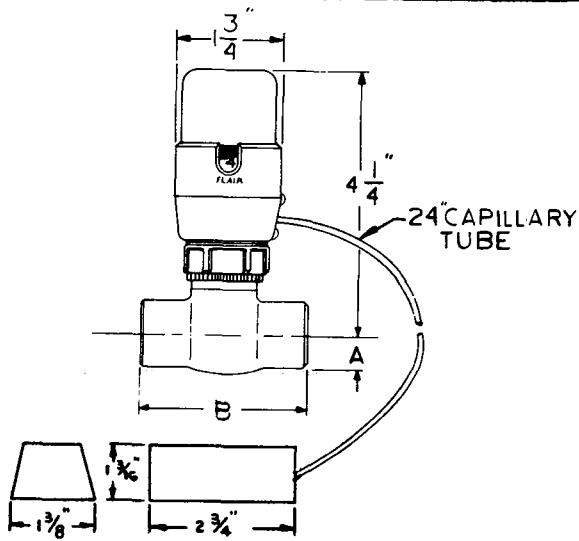
- a. Rotate setting knob so that "4" appears in setting window.
- b. Remove screw from top of silver cap.
- c. Remove silver cap by sliding it gently upward. **DO NOT ROTATE!**
- d. If room temperature is too low and more flow is desired, replace silver cap so that a lower indicator setting (i.e., #2) appears in the window. Take care not to rotate gray plastic ribbed member.
- e. If room temperature is too high and less flow is desired, replace silver cap so that a higher indicator setting (i.e., #6) appears in the window. Take care not to rotate gray plastic ribbed member.
- f. Tighten silver cap by replacing screw in top.



FRONT VIEW

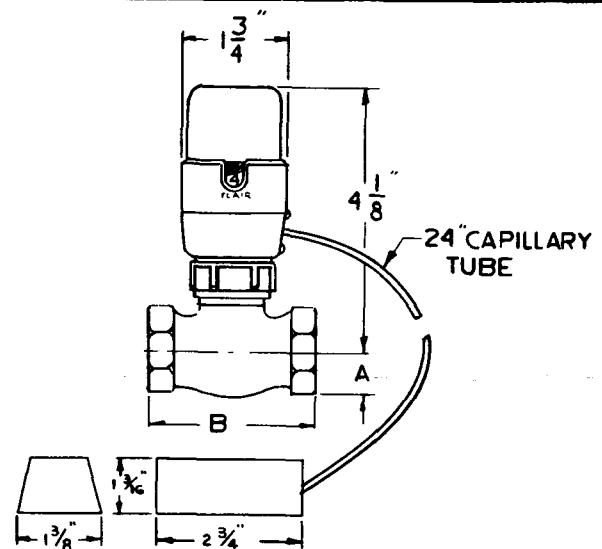


SIDE VIEW



DIMENSIONS IN INCHES

Size	A	B
1/2 CxC	23/64	2-7/32
3/4 CxC	17/32	2-11/16
1 CxC	41/64	3-1/32



DIMENSIONS IN INCHES

Size	A	B
1/2 NPT	9/16	2-5/32
3/4 NPT	23/32	2-9/32

SPECIFICATIONS

Maximum allowable static pressure 150 psig
Test pressure 250 psig

Maximum allowable differential 40 psi or 92.4 ft/hd
Maximum system temperature 250°F
Operating room temperature range 55°-85°F

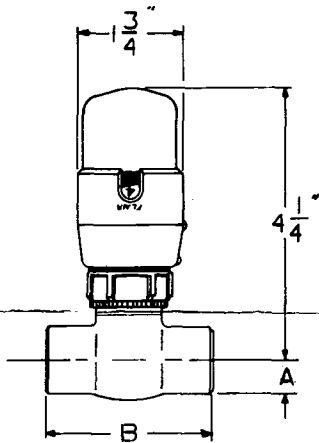
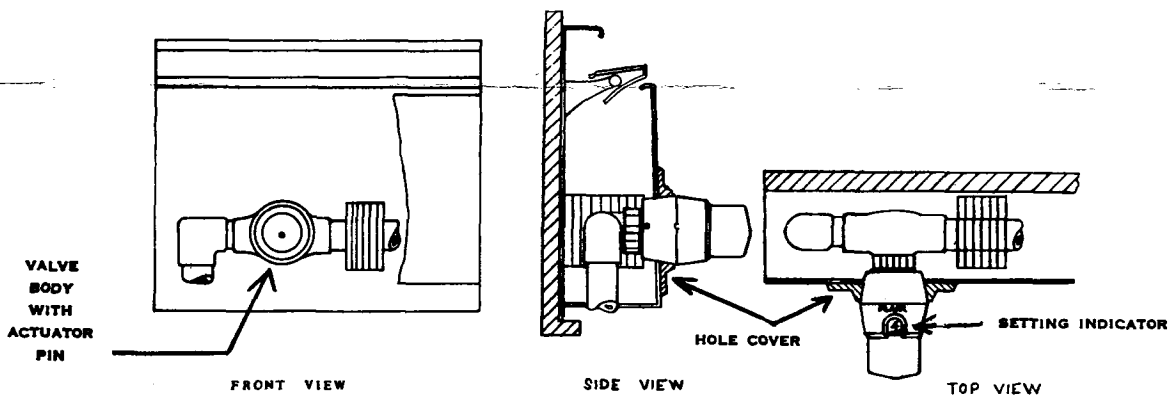
INSTALLATION INSTRUCTIONS

Direct Sensing, Non-Electric, Zone Valve For Baseboard Installation

1. The valve should be installed directly in the baseboard, as near the middle of the loop as possible preferably within the main living area.
2. The valve body must be installed with the directional arrow pointing in the direction of water flow.
3. The actuator pin in the valve body must be in a horizontal position, pointing into the room.
4. Sweat the valve body in place before attaching the operator.
5. A two-inch hole must be punched or drilled into the baseboard cover to accept installation of the operator.
6. Fit the operator onto the valve body and securely tighten the locking ring **BY HAND** before mounting the baseboard cover. Position the setting indicator so that it is visible from above. Place the hole cover over the head of the valve operator to conceal the opening in the baseboard.
7. Set valve at initial setting of "4".

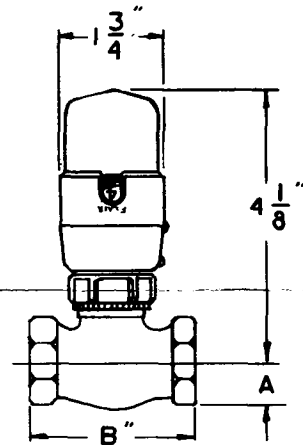
Note: System must be designed for constant circulation. Modulating water temperature should be used if most accurate room temperature control is to be attained. Set point numbers are factory adjusted to 70°F at a setting of "4" for an average installation. In unusual cases, where this setting has to be adjusted, the following steps should be taken:

- a. Set indicator so that "4" appears in setting window.
- b. Loosen differential adjusting screw at lower end of white plastic bezel by backing it off 4½-5 turns. **DO NOT REMOVE SCREW!**
- c. Hold silver cap (not installation locking ring) with setting numbers facing you. Slide white bezel fully back (toward you) taking care not to rotate tan plastic member or silver cap.
- d. If room temperature is too low and more flow is desired, rotate white plastic bezel until a lower setting number (i.e., #2) appears in setting window. Slide white bezel fully forward (away from you). Tighten differential adjusting screw.
- e. If room temperature is too high and less flow is desired, rotate white plastic bezel until a higher setting number (i.e., #6) appears in setting window. Slide white bezel fully forward (away from you). Tighten differential adjusting screw.



DIMENSIONS IN INCHES

Size	A	B
1/2 CxC	23/64	2-7/32
3/4 CxC	17/32	2-11/16
1 CxC	41/64	3-1/32



DIMENSIONS IN INCHES

Size	A	B
1/2 NPT	9/16	2-5/32
3/4 NPT	23/32	2-9/32

SPECIFICATIONS

Maximum allowable static pressure..... 150 psig
 Test pressure..... 250 psig

Maximum allowable differential 40 psi or 92.4 ft/hd
 Maximum system temperature 250°F
 Operating room temperature range..... 55°-85°F