

DIGITAL ON/OFF

SET POINT CONTROLLER *series SPCO*

A universal digital set point controller, monitor and alarm for on/off applications.

BENEFITS & SPECIAL FEATURES

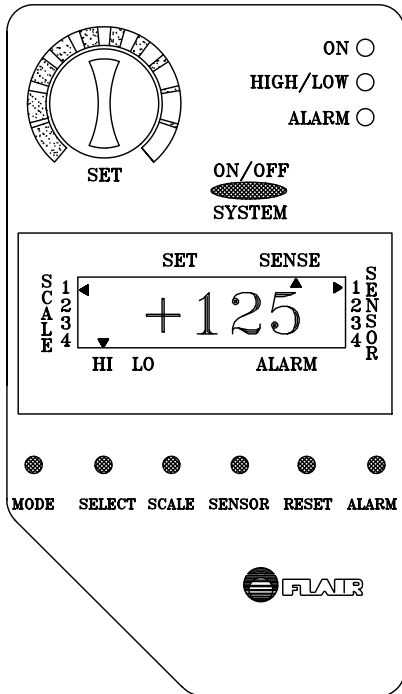
- Adjustable high and low limits, allows adjustable differential.
- Contacts can be set to normally open or normally closed.
- Adjustable scales (linear, logarithmic, and custom mapping).
- May be scaled to operate with a variety of types of sensors over a wide range of values.
- On/off (two-position) digital outputs.
- Single pole double throw (SPDT) switching .
- Large easy to read LCD.
- System status indicators.
- Direct or reverse acting.
- Accepts signals from any of up to 4 individual sensors or a combination of sensors using an averaging function.
- Low and high limit alarm can activate a dry contact to switch an external control.
- 10 year lithium back up battery.

TYPICAL APPLICATIONS

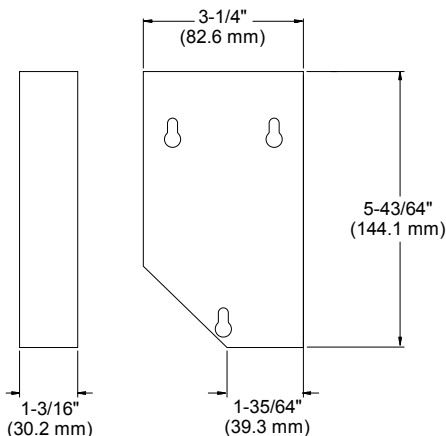
- Low and high temperature alarms
- Valve and damper control
- Boilers, Furnaces, Burners, Water Heaters, Aquaboosters, Chillers, Refrigeration
- High/Low Applications
- Line monitoring
- Monitor and control temperature, pressure, humidity, flow, voltage, amperage, light level, sound level, rpm, air flow, computer output or any other application whose sensors can generate a 0-10V or 4-20mA output.

DESCRIPTION

The control points (high and low) once set, are constantly monitored. The difference between high and low set points can be as little as 1 unit of measure or as much as the full range of the connected sensors. Once activated, contact stays energized until the other set point is exceeded. A second, set of high and low points may be set for an alarm. Once the alarm limits are exceeded in either direction the alarm contact is activated. LED's indicate present status in relation to control points. If an alarm set point is exceeded the alarm LED blinks and remains lit until manually reset. The alarm contact resets automatically when the alarm condition no longer exists. Multiple sensors (4) can be connected for average readings, or any of the individual sensors can be selected.

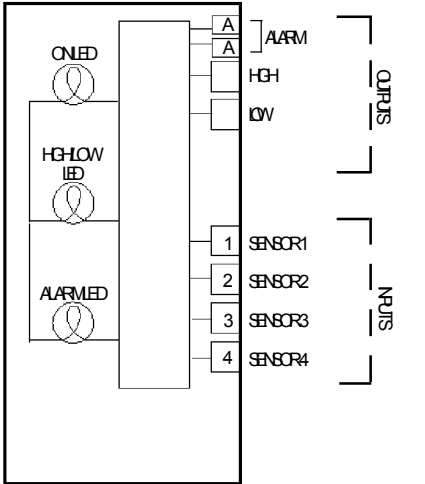


DIMENSIONS



Set Point Controller

MODEL NUMBERS AND DESCRIPTIONS FOR VARIOUS APPLICATIONS



Model Number: SPCO
Description: Digital Set Point Controller

Switching Current at 24 VAC:
Alarm: 1 Amp
High: 1 Amp
Low: 1 Amp
Weight: .4 lbs. (880 g)

OPERATING MODES

1. Set high control point.
2. Set low control point.
3. Set contacts for Direct or Reverse acting.
4. Set high alarm point.
5. Set low alarm point.
6. Calibrate/MAP sensor.
7. Select sensor(s).

SPECIFICATIONS

Operating Voltage: 24 vac (-15%, +10%, 50-60 Hz)
 Sensor Range: (dependent on sensor)
 Accuracy: .5% of full scale
 Sensor System: Any 0-10V or 4-20mA sensor
 Switches:
 Push-button: MODE/SELECT/SCALE/SENSOR/RESET/ALARM
 Rotating: SET VALVE
 Indicator LED's:
 Power: On/Off (Green)
 Set Point: High (Steady Blue)
 Low (Off)
 Alarm: while active (Flashing Red)
 once activated, until reset (Steady Red)
 Display: LCD, 4 character, .5" (1.27 cm) height.
 Dimensions: 5.6 x 2.9 x 1.18 Inches (143.4 x 74.2 x 30.2 mm)
 Weight: .4 lbs. (880 g)
 Material: High impact flame retardent abs
 Color: matte black

ACCESSORIES

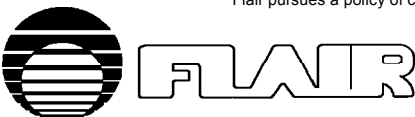
A variety of sensors are available in several ranges for temperature, humidity, pressure, flow, sound level, light level, voltage.

For part #s and specifications see set point controller sensors page

REFERENCES

For More Information On:	See:
Wiring, jumper, settings and applications	Instruction sheet
Other set point controllers & sensors	This section
Zone Actuators	Star Actuator section
Zone Valves	Star Valve section
Wiring Panels	Control Panels section
Warranty & pricing	Pricing & Terms section

Flair pursues a policy of constant improvement. For this reason, all specifications are subject to change without notice.



FLAIR INTERNATIONAL CORPORATION

600 Old Willets Path • Hauppauge, New York 11788 • Tel: (516) 234-3600 • Fax: (516) 234-3610