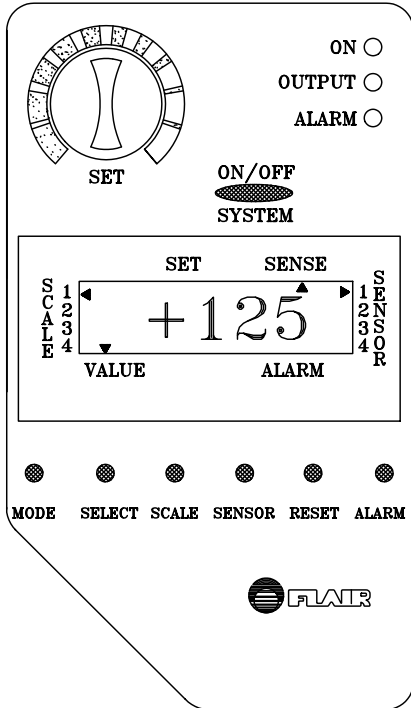


DIGITAL PROPORTIONAL

SET POINT CONTROLLER *series SPCP*

A universal set point controller, monitor and alarm for PID applications.



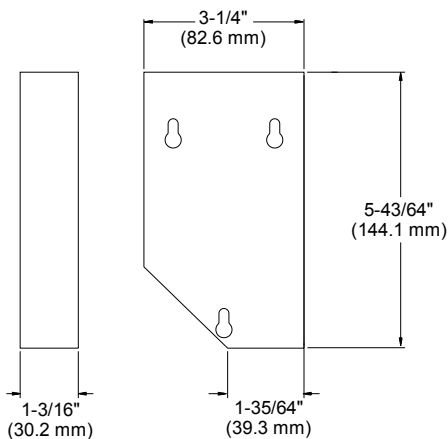
BENEFITS & SPECIAL FEATURES

- Adjustable scales (linear, logarithmic, and custom mapping).
- May be scaled to operate with a variety of types of sensors over a wide range of values.
- Proportional output provides fast and accurate positioning/monitoring.
- Proportional integral control eliminates overshoot and droop.
- Adjustable dead band.
- Voltage and milliamp outputs.
- Large easy to read LCD.
- System status indicators.
- Output indication in real values.
- Output indication in scale values.
- Direct or reverse acting.
- Accepts signals from any of up to 4 individual sensors or combination of sensors using an averaging function.
- Low and high limit alarm can activate a dry contact to switch an external control.
- 10 year lithium back up battery.

TYPICAL APPLICATIONS

- Low and high temperature alarms
- Valve and damper control (proportional)
- Boilers, Furnaces, Burners, Water Heaters, Aquaboosters, Chillers, Refrigeration with variable output
- Line monitoring and control
- Monitor and control temperature, pressure, humidity, flow, voltage, amperage, light level, sound level, rpm, air flow, computer output or any other application whose sensors can generate a 0-10V or 4-20mA output.
- Full proportional control.

DIMENSIONS

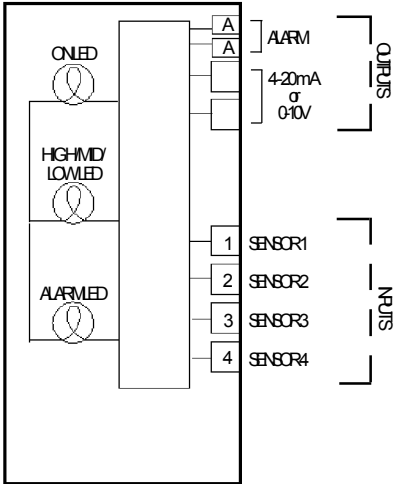


Thermostat

DESCRIPTION

The control points are constantly monitored. A set of points (high and low) may be set for an alarm. Once the alarm limits are exceeded in either direction the alarm contact is activated. An output LED indicates that a signal is being transmitted. If an alarm set point is exceeded the alarm LED blinks and remains lit until manually reset. The alarm contact resets automatically when the alarm condition no longer exists. Multiple sensors (4) can be connected for average readings, or any of the individual sensors can be selected.

MODEL NUMBERS AND DESCRIPTIONS FOR VARIOUS APPLICATIONS



Model Number: SPCP
 Description: Digital Proportional PID
 Set Point Controller

Switching Current at 24 VAC:
 Alarm: 1 Amp
 Output: 4-20 mA or 0-10 V
 Weight: .4 lbs. (880 g)

OPERATING MODES

1. Direct/Reverse
2. Activate alarm above control point
3. Activate alarm below control point
4. Calibrate/MAP sensor
5. Select sensor(s)

SPECIFICATIONS

Operating Voltage: 24 vac (-15%, +10%, 50-60 Hz)
 Sensor System: Any 0-10V or 4-20mA sensor
 Display Range: -999 to +999
 Sensor input range: Dependent on sensor
 Sensor output range: within 0-10V and 4-20mA
 Accuracy: .5% of full scale
 Dead Band: 0 to full range
 Switches:
 Push-button: MODE/SELECT/SCALE/SENSOR/RESET/ALARM
 Rotating: SET VALVE
 Indicator LED's:
 Power: On/Off (Green)
 Output: Active (Steady Blue)
 Inactive (Off)
 Alarm: while active (Flashing Red)
 once activated, until reset (Steady Red)
 LCD, 4 character, .5" (1.27 cm) height.
 Display: LCD, 4 character, .5" (1.27 cm) height.
 Dimensions: 5.6 x 2.9 x 1.18 Inches (143.4 x 74.2 x 30.2 mm)
 Weight: .4 lbs. (880 g)
 Material: High impact flame retardent ABS
 Color: matte black

ACCESSORIES

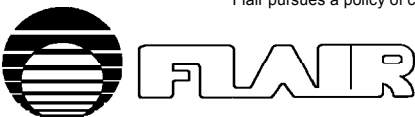
A variety of sensors are available in several ranges for temperature, humidity, pressure, voltage and amperage, sound and light levels.

For part #s and specifications see set point controller sensors page

REFERENCES

For More Information On:	See:
Wiring, jumper, settings and applications	Instruction sheet
Other set point controllers, monitors & sensors	This section
Zone Actuators	Star Actuator section
Zone Valves	Star Valve section
Wiring Panels	Control Panels section
Warranty & pricing	Pricing & Terms section

Flair pursues a policy of constant improvement. For this reason, all specifications are subject to change without notice.



FLAIR INTERNATIONAL CORPORATION

600 Old Willets Path • Hauppauge, New York 11788 • Tel: (516) 234-3600 • Fax: (516) 234-3610