



FLAIR

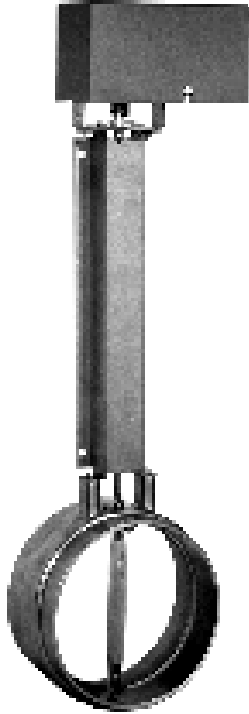
STACK PACK SL76 SERIES FLUE DAMPER

For Commercial Water Heaters with
Low Height Requirements.

An automatic, motorized stack damper that increases the efficiency of heating systems by reducing standby losses from the heating apparatus and the conditioned air space. A.G.A. certified to Z21.10.1 and Z21.10.3 as a flue damper.

BENEFITS & SPECIAL FEATURES

- Includes extension bracket for use on appliances with high surface temperatures or special clearance requirements.
- Low profile lightweight aluminum precision casting to fit under standard draft hoods, or for applications with low height restriction.
- Tight closing damper vane (with provision for standing pilot) for maximum energy savings, resulting in unsurpassed D_o factors.
- Lower friction, universal round rod design for greater durability.
- Easy to service: replaceable actuator.
- 24 VAC, adaptable to millivolt and 120 VAC systems.
- Patented dual interlock positively prevents burner operation with vane in other than fully open position.
- Safe, low voltage control circuit, compatible with standing pilot or intermittent ignition devices.
- Damper will always fail in the safe, open position on loss of power and will allow continued normal burner operation.
- Will start to close only when the burner is proven off.
- Heavy duty, low temperature motor with integral clutch and lost motion feature to ensure longer life.
- Direct driven end switch for positive burner control.
- Quick connect receptacle for easy, safe and reliable attachment to optional FLAIR harness.
- 725° Fahrenheit flue damper rating.
- Flow direction and vane position indicators.
- Pre-drilled for included mounting screws.



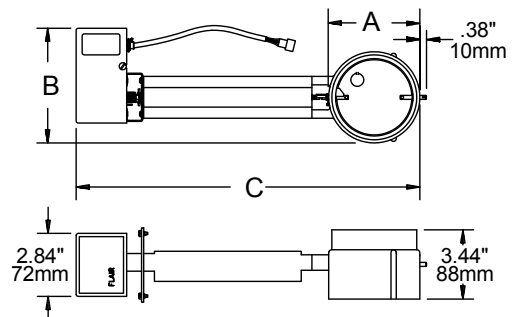
SL76 SERIES



Covered by patent nos. 4,039,123 and 4,404,613

DIMENSIONS

VENT SIZE	A		B		C	
	IN	MM	IN	MM	IN	MM
3"	3.29"	84mm	5.70"	145mm	19.55"	500mm
4"	4.29"	109mm	6.20"	158mm	20.55"	522mm
5"	5.29"	134mm	6.70"	170mm	21.55"	547mm
6"	6.29"	160mm	7.20"	183mm	22.55"	573mm
7"	7.29"	185mm	7.70"	196mm	23.55"	598mm
8"	8.29"	211mm	8.20"	208mm	24.55"	624mm
9"	9.29"	236mm	8.70"	221mm	25.55"	649mm
10"	10.29"	261mm	9.20"	234mm	26.55"	674mm
12"	12.29"	312mm	10.20"	259mm	28.55"	725mm



ELECTRICAL

POWER REQUIREMENTS 24 VAC, 50/60 Hz.
 MINIMUM WIRING REQUIREMENTS 18 gauge 90° C.
 THERMOSTAT ANTICIPATION 0.1 amp. + gas valve current.

DAMPER MOTOR

Power draw requirements 6 watts at 24 VAC when closed or closing.
 Torque (running) 20 in./oz. (.1412N/M) minimum at 20.4 volts.
 Timing closes in 8 seconds (0.1333 minutes)
 Time delay begins closing immediately upon signal to close.
 Characteristics power close, spring open.
 Type synchronous, hysteresis.

SWITCHING 2 precision snap acting micro switches, 5 amps resistive at 125/250 VAC.
 P.C. BOARD 2 oz./ft.² one side copper, flame retardant.

SPECIFICATIONS

PART NO.*	VENT SIZE	SHIPPING WT. (lbs.)	Electronic Ignition		Standing Pilot			
			FREE AREA	D _o FACTOR (NO KNOCKOUT)	KNOCKOUT DIAMETER	KNOCKOUT AREA	FREE AREA	D _o FACTOR (KNOCKOUT)
SL760003	3"	2.7	0.0003	0	0.798	0.5001	0.5004	.0720
SL760004	4"	2.9	.0003	.0000	0.798	0.5001	0.5004	.0650
SL760005	5"	3.2	.0003	.0000	0.798	0.5001	0.5004	.0400
SL760006	6"	3.5	.0003	.0000	0.798	0.5001	0.5004	.0271
SL760007	7"	3.8	.0003	.0000	0.798	0.5001	0.5004	.0196
SL760008	8"	4.1	.0003	.0000	0.798	0.5001	0.5004	.0148
SL760009	9"	4.4	.0003	.0000	0.798	0.5001	0.5004	.0116
SL760010	10"	4.7	.0003	.0000	2 X 0.798	1.0002	1.0005	.0188
SL760012	12"	5.2	.0003	.0000	2 X 0.798	1.0002	1.0005	.0129

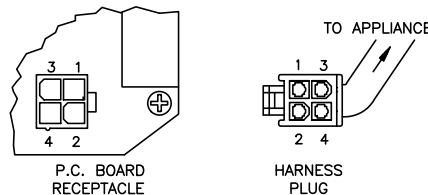
AVAILABLE PLUG-IN WIRING HARNESS

SL76 Dampers incorporate a receptacle for quick, easy and trouble free connection to the wiring harness. AH18 Series harnesses contain an industry standard plug on the appliance end. Other series are available to conform to the appliance manufacturer's special requirements. Custom lengths are available by special order. See harness specification sheets or consult FLAIR for details.

PART NO.	DESCRIPTION
AH184204	Adapter is to be used when receptacle equipped Stack Packs are to be wired to non-plug-in harnesses. Consists of damper connector, 4" leads and wire nuts.
AH189048	Plug on Damper end. Industry standard plug on appliance end. Plastic cable - 48" length.
AH189096	Plug on Damper end. Industry standard plug on appliance end. Plastic cable - 96" length.
AH189148	Plug on Damper end. Industry standard plug on appliance end. BX cable - 48" length.
AH189196	Plug on Damper end. Industry standard plug on appliance end. BX cable - 96" length.

*To include a bx cable harness with industry plug on appliance end, substitute the numbers "48" or "96" in place of the first "00" of the damper part number.

RECEPTACLE/PLUG WIRING DIAGRAM



WIRE	DESCRIPTION OF OPERATION
1	24 VAC input
2	24 VAC input
3	To gas valve
4	To thermostat or controller

REPLACEMENT PARTS & ACCESSORIES

PART NO.	DESCRIPTION
RP545000	Replacement actuator.
RP100000	Actuator cover.
RP103010	Vane knockout plug.
AS000405	Vent safety switch (spot sensor).
AS000406	Vent safety switch (capillary sensor).

Flair pursues a policy of constant improvement. For this reason, all specifications are subject to change without notice.



FLAIR

FLAIR INTERNATIONAL CORPORATION

600 Old Willets Path • Hauppauge, New York 11788 • Tel: (516) 234-3600 • Fax: (516) 234-3610