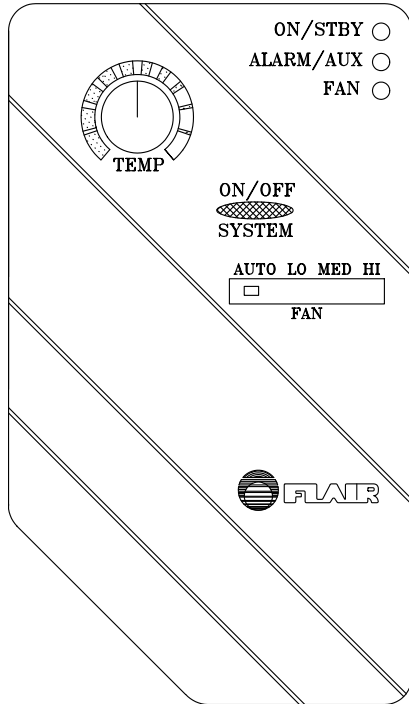


ELECTRONIC
THERMOSTAT series TE13

For control of fan coils and Packaged Terminal Air Conditioners (PTACs). Available in heating only or cooling only.



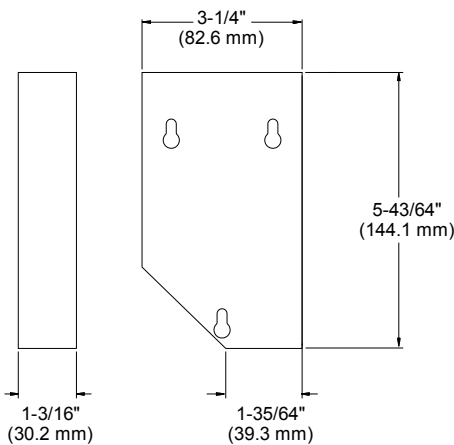
BENEFITS & SPECIAL FEATURES

- 4 minute time delay for compressor protection (may be bypassed).
- Remote temperature sensor (optional).
- Return air temperature sensor (optional).
- Manual on/off override.
- Electronic temperature limiting and locking.
- Low and high limit temperature alarms can activate a dry contact to switch an external control.
- Three speed automatic fan selection control with manual override.
- System status indicators.
- Models to accommodate 24/120/208/230/277 VAC.

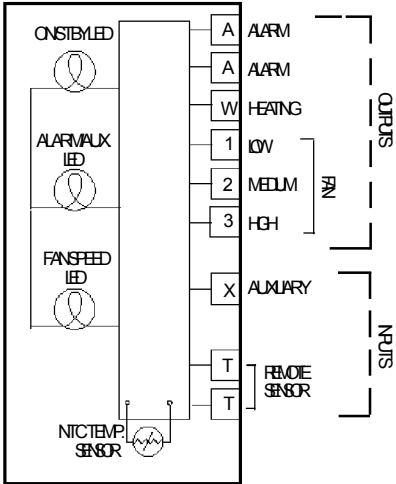
SPECIFICATIONS

Operating Voltage:	24/120/208/230/277 vac (-15%, +10 %, 50-60 Hz)
Switching Current at rated voltage:	
Cooling:	minimum 10 Amps
Heating:	minimum 10 Amps
Fan:	minimum 10 Amps
Alarm:	minimum 1 Amp
Auxiliary:	minimum 1 Amp
Temperature Range:	50°F - 90°F (10°C - 32°C)
Temperature Differential:	
Heating:	approximately ±0.8°F (.4°C)
Cooling:	approximately ±0.8°F (.4°C)
Fan (in auto mode):	
Low:	< 2° F (1.1° C)
Med:	2 - 4° F (1.1°-2.2° C)
High:	> 4° F (2.2° C)
Sensor System:	Negative Temperature Coefficient (NTC)
Standard:	internal
Optional:	remote temperature
Optional:	return air temperature
Compressor Protection:	switched 4 minute time delay
Switches:	
Push-button:	SYSTEM: ON/OFF
Slide:	FAN: AUTO/LOW/MED/HIGH
Rotating:	set TEMPERATURE
Indicator LED's:	ON (Steady Green) / STBY (Flashing Green)
	ALARM (Flashing Red) / AUX (Steady Red)
	(Slow Flashing Yellow)
	(Flashing Yellow)
	(Fast Flashing Yellow)
Fan:	Low::
	Med:
	High:
Security:	Electronic temperature limiting and locking
Dimensions:	5 ⁴³ / ₆₄ x 3 ¹ / ₄ x 1 ³ / ₁₆ Inches (144.1 x 82.6 x 30.2 mm)

DIMENSIONS



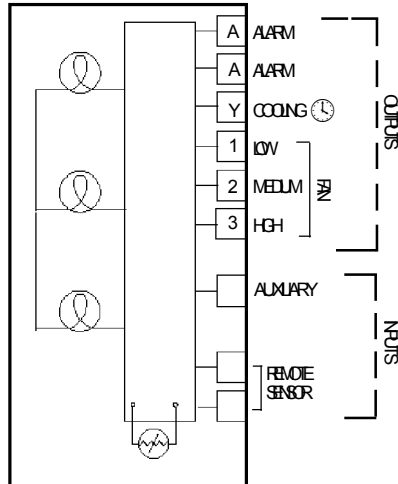
MODEL NUMBERS AND DESCRIPTIONS FOR VARIOUS APPLICATIONS



Model Number: TE131020; 24 VAC
 TE131030; 100 VAC
 TE131040; 120 VAC
 TE131050; 208 VAC
 TE131070; 230 VAC
 TE131090; 277 VAC

Description: 1 stage heat

Weight: .4 lbs. (880 g)



Model Number: TE130120; 24 VAC
 TE130130; 100 VAC
 TE130140; 120 VAC
 TE130150; 208 VAC
 TE130170; 230 VAC
 TE130190; 277 VAC

Description: 1 stage cool

Weight: .4 lbs. (880 g)

ACCESSORIES

Remote Temperature Sensor TX101001

Return Air Temperature Sensor TX101011

Backplates may be used to cover large holes in walls or mount to utility boxes:

horizontal TX201001
 vertical TX202001
 square TX203001

Auto changeover between heating and cooling can be accomplished when used with Heating/Cooling Changeover Switch:

For 1/2" to 1 1/4" pipe AC000100
 For 1 1/4" to 3" pipe AC000101

Transformers:
 40 VA TR140100
 20 VA TR120100

Relay Transformers:
 20 VA (2) SPST 120 VAC relay TR440200
 20 VA (1) SPST 120 VAC relay TR440300

APPLICATIONS

- Zone heating or cooling.
- Residential. (Single or multi-family, Apartments, Co-ops, Condominiums)
- Commercial. (Stores, Restaurants, Offices)
- Industrial.
- Institutional. (Hospitals, Hotels, Motels)

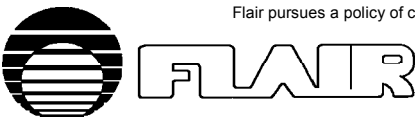
REFERENCES

For More Information On:	See:
Remote Model	TF13
Wiring, jumper, potentiometer settings and applications	Instruction sheet This section
Other thermostats	Star Actuator section
Zone Actuators	Star Valve section
Zone Valves	Control Panels section
Wiring Panels	Price section
Warranty & pricing	Pricing & Terms section

Indicates this output is protected by a switched 4- minute time delay.



Flair pursues a policy of constant improvement. For this reason, all specifications are subject to change without notice.



FLAIR INTERNATIONAL CORPORATION

600 Old Willets Path • Hauppauge, New York 11788 • Tel: (516) 234-3600 • Fax: (516) 234-3610

TE13P2