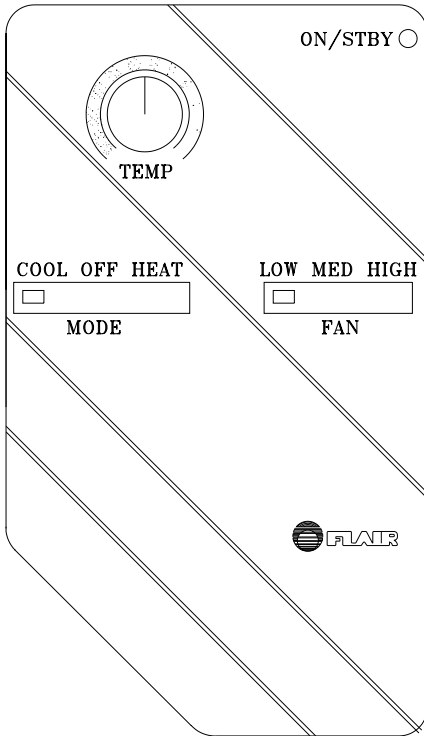


ELECTRONIC

THERMOSTAT *series TE22*

For control of fan coils and Packaged Terminal Air Conditioners (PTACs). For heating and cooling.



BENEFITS & SPECIAL FEATURES

- 4 minute time delay for compressor protection (may be bypassed).
- Cool-Off-Heat switching.
- Three speed fan selection control.
- System status indicator.
- Models to accommodate 24/100/120/208/220/230/240/277 vac.
- Warmer/cooler scale standard.
- Fahrenheit and Celsius scales included.
- No sub-base required.
- Attractive modern design.
- No batteries required.

SPECIFICATIONS

Operating Voltage: 24/100/120/208/220/230/240/277 vac
(-15%, +10%, 50-60 Hz)

Switching Current at rated voltage:

Cooling: minimum 10 Amps
Heating: minimum 10 Amps
Fan: minimum 10 Amps

Temperature Range: 50°F - 90°F (10°C - 32°C)

Temperature Differential:

Heating: approximately ±0.8°F (.4°C)
Cooling: approximately ±0.8°F (.4°C)

Sensor System: Negative Temperature Coefficient (NTC)
Standard: internal

Switches:

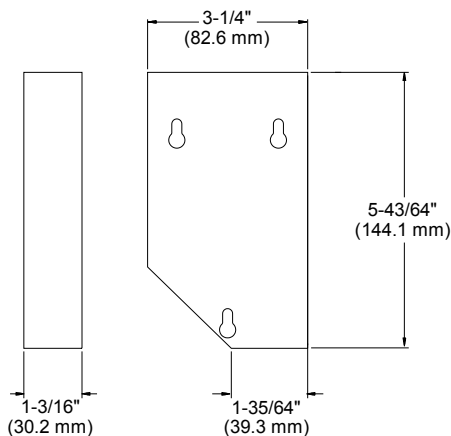
Slide: MODE: COOL/OFF/HEAT
Slide: FAN: LOW/MED/HIGH
Rotating: set temperature
Indicator LED's: ON (Steady Green)

Dimensions: 5⁴³/₆₄ x 3¹/₄ x 1³/₁₆ Inches (144.1 x 82.6 x 30.2 mm)

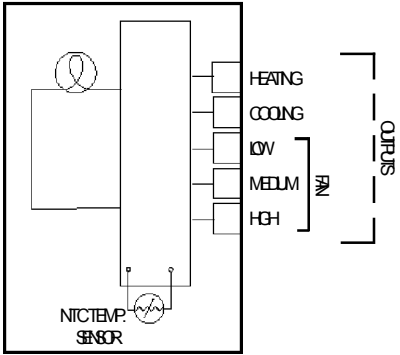
Material: high impact abs

Color: matte white

DIMENSIONS



MODEL NUMBERS AND DESCRIPTIONS FOR VARIOUS APPLICATIONS



Model Number: TE221120; 24 VAC
 TE221130; 100 VAC
 TE221140; 120 VAC
 TE221150; 208 VAC
 TE221160; 220 VAC
 TE221170; 230 VAC
 TE221180; 240 VAC
 TE221190; 277 VAC

Description: 1 stage heat/cool

Weight: .4 lbs. (880 g)

ACCESSORIES

Transformers:
 40 VA TR140100
 20 VA TR120100

Relay Transformers:
 20 VA (2) SPST 120 VAC relay TR440200
 20 VA (1) SPST 120 VAC relay TR440300

APPLICATIONS

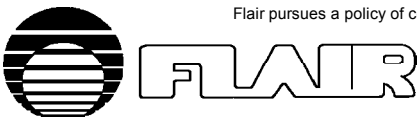
- Zone heating or cooling.
- Commercial (Stores, Restaurants, Offices).
- Industrial.
- Institutional (Hospitals, Hotels, Motels).

REFERENCES

For More Information On:	See:
Remote version	TF23 data sheet
Wiring, jumper, potentiometer settings and applications	Instruction sheet
Other thermostats	This section
Zone Actuators	Star Actuator section
Zone Valves	Star Valve section
Wiring Panels	Control Panels section
Warranty & pricing	Pricing & Terms section



Flair pursues a policy of constant improvement. For this reason, all specifications are subject to change without notice.



FLAIR INTERNATIONAL CORPORATION

600 Old Willets Path • Hauppauge, New York 11788 • Tel: (516) 234-3600 • Fax: (516) 234-3610

TE22P2