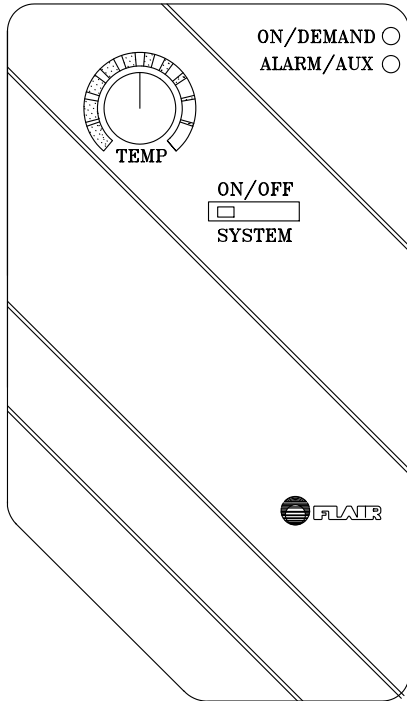


## ELECTRIC HEAT/COOL THERMOSTAT *series TE40*

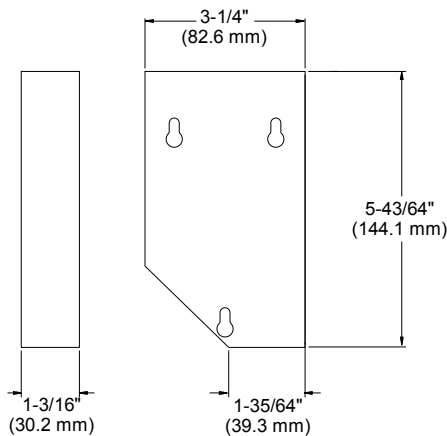
For line voltage control of electric baseboard, element, kick space or wall heaters, paddle fans, exhaust fans and air conditioners.



### BENEFITS & SPECIAL FEATURES

- Easy setting.
- No batteries required.
- Remote temperature sensor (optional).
- Manual on/off override.
- Electronic temperature limiting and locking.
- Low and high limit temperature alarms can activate a dry contact to switch an external control.
- System status indicators.
- SPST, SPDT and DPST models.
- Warmer/cooler scale standard.
- Fahrenheit and Celsius scales included.
- Models to accommodate 120/208/230/277 vac.
- No sub-base required.
- Attractive modern design.

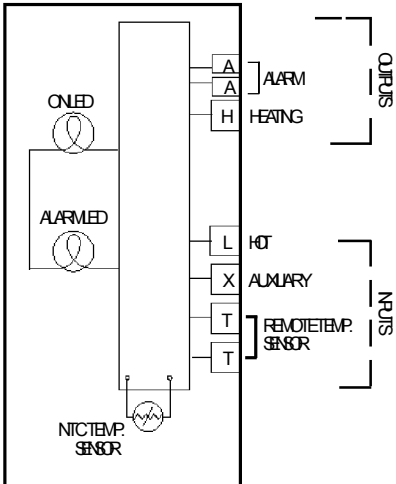
### DIMENSIONS



### SPECIFICATIONS

Operating Voltage:	120/208/230/277 vac (-15%, +10%, 50-60 Hz)
Temperature Range:	50°F - 90°F (10°C - 32°C)
Temperature Differential:	
Heating:	approximately ±0.8°F (.4°C)
Cooling:	approximately ±0.8°F (.4°C)
Sensor System:	Negative Temperature Coefficient (NTC)
Standard:	internal
Optional:	remote temperature
Switches:	
Slide:	SYSTEM: ON/OFF
Rotating:	set TEMPerature
Indicator LED's:	ON (Green)
Security:	ALARM (Flashing Red) / AUX (Steady Red)
Dimensions:	Electronic temperature limiting and locking
Material:	5 <sup>43</sup> / <sub>64</sub> x 3 <sup>1</sup> / <sub>4</sub> x 1 <sup>3</sup> / <sub>16</sub> Inches (144.1 x 82.6 x 30.2 mm)
Case:	High impact flame retardent ABS Matte white

# MODEL NUMBERS AND DESCRIPTIONS FOR VARIOUS APPLICATIONS



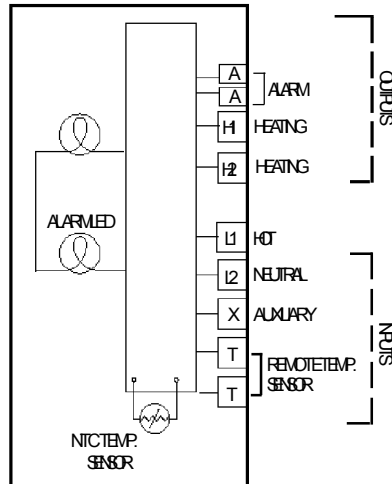
Model Number: TE401040; 120 vac

Description: Electric heat SPST

Switching Current at at rated voltage:

120 vac: minimum 22 Amps  
Alarm: minimum 1 Amp

Weight: .4 lbs. (880 g)



Model Number: TE401090; 208 vac  
Model Number: TE401070; 230 vac  
Model Number: TE401090; 277 vac

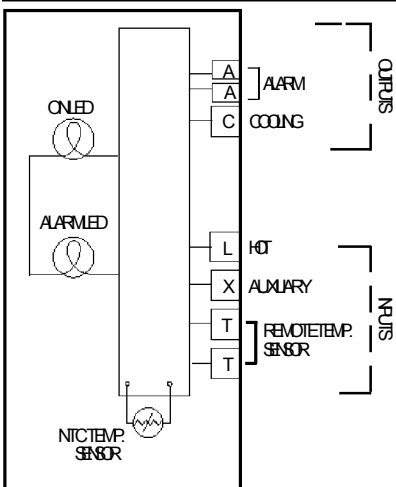
Description: Electric heat DPST

Switching Current at at rated voltage:

208 - 277 vac: minimum 22 Amps  
Alarm: minimum 1 Amp

Weight: .4 lbs. (880 g)

Note: In a 3-phase system, the thermostat must break neutral to heater, not system neutral.



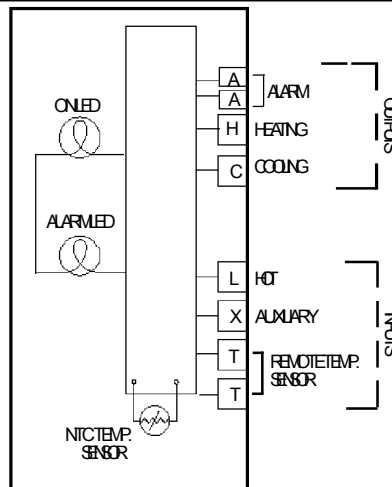
Model Number: TE400140; 120 vac

Description: Electric cooling SPST

Switching Current at at rated voltage:

120 vac: minimum 22 Amps  
Alarm: minimum 1 Amp

Weight: .4 lbs. (880 g)



Model Number: TE401140; 120 vac

Description: Electric heat or cool SPDT

Switching Current at at rated voltage:

120 vac: minimum 22 Amps  
Alarm: minimum 1 Amp

Weight: .4 lbs. (880 g)

## ACCESSORIES

Remote Temperature Sensor	TX101001
Backplates may be used to cover large holes in walls or mount to utility boxes:	
horizontal	TX201001
vertical	TX202001
square	TX203001
Relay Transformers:	
20 VA (2) SPST 120 VAC relay	TR440200
20 VA (1) SPST 120 VAC relay	TR440300

## APPLICATIONS

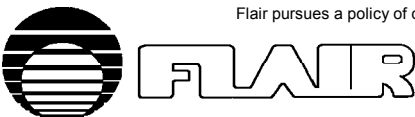
- Zone electric heating.
- Residential (Single or multi-family, Apartments, Co-ops, Condominiums).
- Commercial (Stores, Restaurants, Offices).
- Industrial
- Institutional (Hospitals, Hotels, Motels).
- Paddle fans
- Exhaust fans
- Window A/C units
- Greenhouses
- Aquariums
- Spas and hot tubs
- Refrigerated and frozen display cases

## REFERENCES

For More Information On:	See:
Wiring, jumper, settings and applications	Instruction sheet
Other thermostats	This section
Zone Actuators	Star Actuator section
Zone Valves	Star Valve section
Wiring Panels	Control Panels section
Warranty & pricing	Pricing & Terms section



Flair pursues a policy of constant improvement. For this reason, all specifications are subject to change without notice.



FLAIR INTERNATIONAL CORPORATION

600 Old Willets Path • Hauppauge, New York 11788 • Tel: (516) 234-3600 • Fax: (516) 234-3610

TE40P2