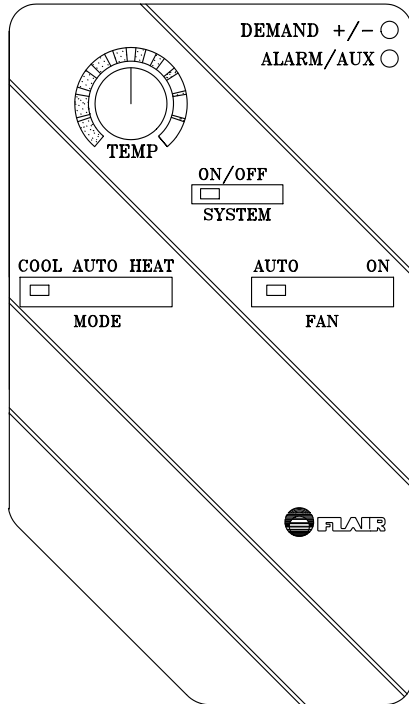


ELECTRONIC MODULATING THERMOSTAT *series TE81*

For modulating control of central (main) or zoned heating and cooling systems.



BENEFITS & SPECIAL FEATURES

- Adjustable dead band prevents overlapping between heating and cooling modes.
- Floating point control for closer tolerance.
- Manual on/off override.
- Electronic temperature limiting and locking.
- Low and high limit temperature alarms can activate a dry contact to switch an external control.
- Automatic heating/cooling changeover.
- Continuous (on) or intermittent (auto) fan control.
- Direct or reverse acting.
- System status indicators.
- No batteries required.
- Remote temperature sensor (optional).
- Return air temperature sensor (optional).
- Warmer/cooler scale standard.
- Fahrenheit and Celsius scales included.
- No sub-base required.
- Attractive modern design.

SPECIFICATIONS

Operating Voltage: 24 vac (-15%, +10%, 50-60 Hz)
 Temperature Range: 50° F - 90° F (10° C - 32° C)
 Proportional Band: 2 - 10° F (1.1° - 5.5° C)
 Bandwidth: 0-2° F (0-1.1° C)
 Dead Band: 1° - 4° F (.6° - 2.2° C)
 Sensor System: Negative Temperature Coefficient (NTC)

Standard: internal
 Optional: remote temperature
 Optional: return air temperature

Switches :

Slide: SYSTEM: ON/OFF
 Slide: MODE: COOL/AUTO/HEAT
 Slide: FAN: AUTO/ON
 Rotating: set TEMPerature

Switched Outputs:

Triac/relay
 ON (Green)
 ALARM (Flashing Red) / AUX (Steady Red)

Indicator LED's:

Modulating circuit:

DEMAND + (Steady Blue)
 Set point Off
 DEMAND - (Flashing Blue)

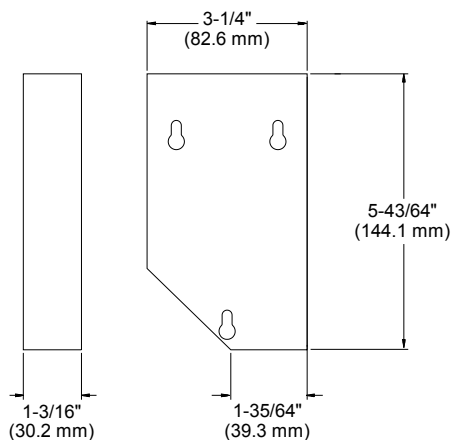
Security:

Electronic temperature limiting and locking

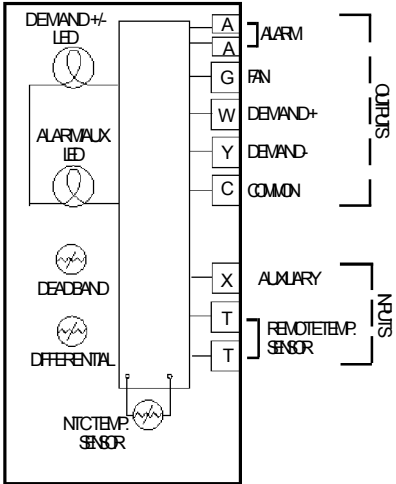
Dimensions:

5⁴³/₆₄ x 3¹/₄ x 1³/₁₆ Inches (144.1 x 82.6 x 30.2 mm)

DIMENSIONS



MODEL NUMBERS AND DESCRIPTIONS FOR VARIOUS APPLICATIONS



Model Number: TE811120
 Description: 1 stage heat, 1 stage cool

Switching Current at 24 VAC:
 Cooling: 1 Amp
 Heating: 1 Amp
 Fan: 1 Amp
 Alarm: 1 Amp
 Auxiliary: 1 Amp
 Weight: .4 lbs. (880 g)

ACCESSORIES

Remote Temperature Sensor	TX101001
Return Air Temperature Sensor	TX101011
Backplates may be used to cover large holes in walls or mount to utility boxes:	
horizontal	TX201001
vertical	TX202001
square	TX203001
Transformers:	
40 VA	TR140100
20 VA	TR120100
Relay Transformers:	
20 VA (2) SPST 120 VAC relay	TR440200
20 VA (1) SPST 120 VAC relay	TR440300

APPLICATIONS

- Central (main) heating or cooling.
- Zone heating or cooling.
- Residential (Single or multi-family, Apartments, Condominiums, Co-ops).
- Commercial (Stores, Restaurants, Offices).
- Industrial.
- Institutional (Hospitals, Hotels, Motels).

REFERENCES

For More Information On:	See:
Remote Model	TF81 data sheet
Wiring, jumper, potentiometer settings and applications	Instruction sheet
Other thermostats	This section
Zone Actuators	Star Actuator section
Zone Valves	Star Valve section
Wiring Panels	Control Panels section
Warranty & pricing	Pricing & Terms section



FLAIR

Flair pursues a policy of constant improvement. For this reason, all specifications are subject to change without notice.

FLAIR INTERNATIONAL CORPORATION

600 Old Willets Path • Hauppauge, New York 11788 • Tel: (516) 234-3600 • Fax: (516) 234-3610