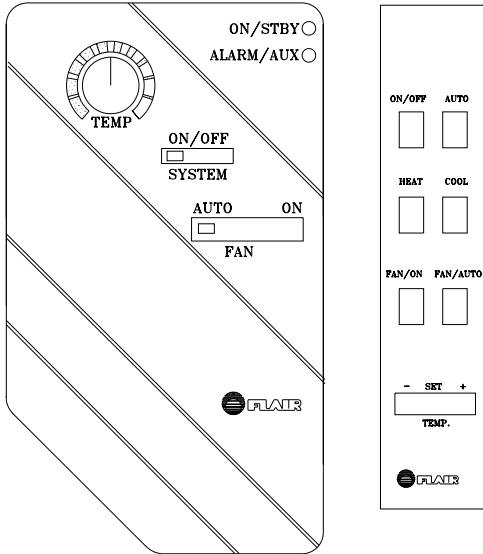


ELECTRONIC

# THERMOSTAT series TF11

For central (main) or zoned control of heating or cooling systems.

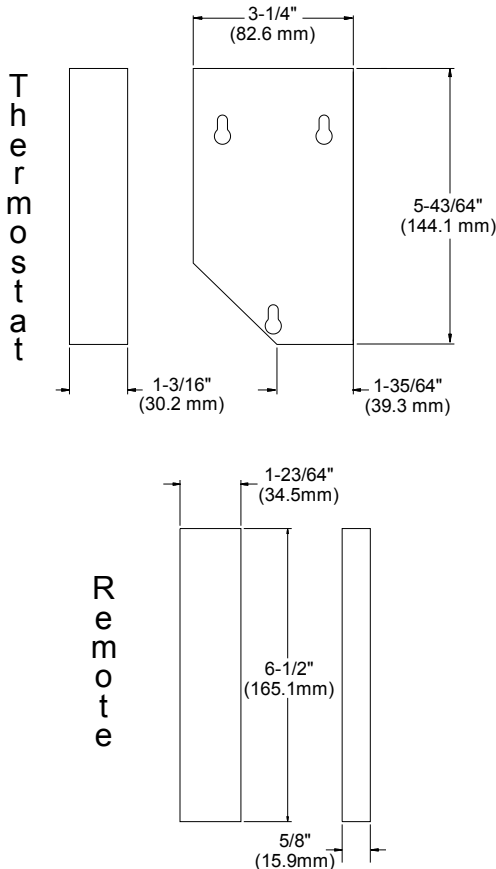


## BENEFITS & SPECIAL FEATURES

**Same benefits as the TE11 with the addition of remote control:**

- 4 minute time delay for compressor protection on cooling models (may be bypassed).
- No batteries required.
- Remote temperature sensor (optional).
- Return air temperature sensor (optional).
- Manual on/off override.
- Electronic temperature limiting and locking.
- Low and high limit temperature alarms can activate a dry contact to switch an external control.
- Continuous (on) or intermittent (auto) fan control (cooling models).
- System status indicators.
- Warmer/cooler scale standard.
- Fahrenheit and Celsius scales included.
- No sub-base required.
- Attractive modern design.
- Infra-red remote control internal receiver (standard).
- Infra-red remote control transmitter (optional).
- Infra-red remote control external receiver (optional).

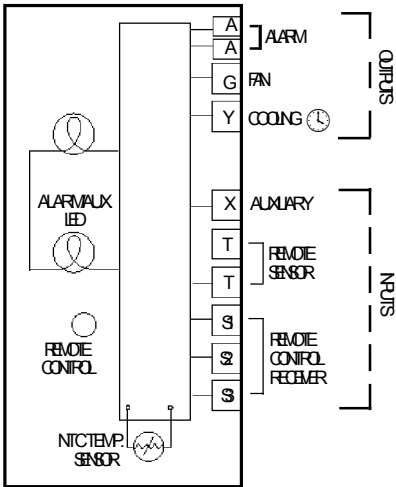
## DIMENSIONS



## SPECIFICATIONS

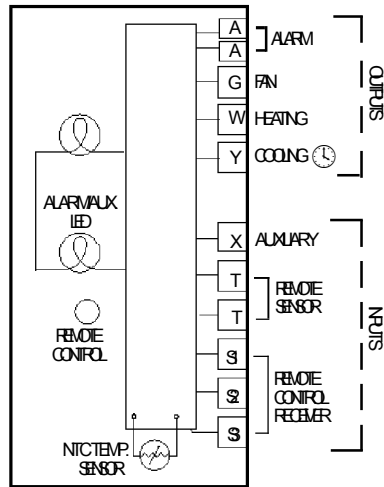
Operating Voltage:	24 vac (-15%, +10%, 50-60 Hz)
Temperature Range:	50°F - 90°F (10°C - 32°C)
Temperature Differential:	
Heating:	approximately ±0.8°F (.4°C)
Cooling:	approximately ±0.8°F (.4°C)
Sensor System:	Negative Temperature Coefficient (NTC)
Standard:	internal
Optional:	remote temperature
Optional:	return air temperature
Compressor Protection (cooling models only):	switched 4 minute time delay
Switches:	
Slide:	SYSTEM: ON/OFF
Slide:	FAN: AUTO/ON
Rotating:	set TEMPerature
Indicator LED's:	ON (Steady Green) / STBY (Flashing Green)
	ALARM (Flashing Red) / AUX (Steady Red)
Security:	Electronic temperature limiting and locking.
Dimensions:	5 <sup>43</sup> / <sub>64</sub> x 3 <sup>1</sup> / <sub>4</sub> x 1 <sup>3</sup> / <sub>16</sub> Inches (144.1 x 82.6 x 30.2 mm)
Remote Control Transmitter (optional) :	7-button infra-red
Battery:	(2) AAA
Range:	36' (10 meters)
Remote Control Receiver (optional):	infra-red
Range:	36' (10 meters)

# MODEL NUMBERS AND DESCRIPTIONS FOR VARIOUS APPLICATIONS



Model Number: TF110120  
Description: 1 stage cool (2-wire)

Switching Current at 24 VAC:  
Cooling: 1 Amp  
Fan: 1 Amp  
Alarm: 1 Amp  
Auxiliary: 1 Amp  
Weight: .4 lbs. (880 g)



Model Number: TF111120  
Description: 1 stage heat or 1 stage cool

Switching Current at 24 VAC:  
Cooling: 1 Amp  
Heating: 1 Amp  
Fan: 1 Amp  
Alarm: 1 Amp  
Auxiliary: 1 Amp  
Weight: .4 lbs. (880 g)

## ACCESSORIES


Remote Temperature Sensor	TX101001
Return Air Temperature Sensor	TX101011
Backplates may be used to cover large holes in walls or mount to utility boxes:	
horizontal	TX201001
vertical	TX202001
square	TX203001
Auto changeover between heating and cooling can be accomplished when used with Heating/Cooling Changeover Switch.	
For 1/2" to 1 1/4" pipe	AC000100
For 1 1/4" to 3" pipe	AC000101
Remote Control Transmitter (Compatible with internal and external remote control receivers.)	TX502001
Remote Control Receiver (external) (Up to 5 receivers may be daisy chained to thermostat and placed at remote locations—relays signal from remote control transmitter to thermostat.)	TX503001
Transformers:	
40 VA	TR140100
20 VA	TR120100
Relay Transformers:	
20 VA (2) SPST 120 VAC relay	TR440200
20 VA (1) SPST 120 VAC relay	TR440300

## APPLICATIONS

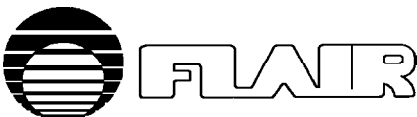
- Central (main) heating or cooling.
- Zone heating or cooling.
- Residential (Single or multi-family, Apartments, Condominiums, Co-ops).
- Commercial (Stores, Restaurants, Offices).
- Industrial.
- Institutional (Hospitals, Hotels, Motels).

## REFERENCES

For More Information On:	See:
For Non-Remote Model	TE11 data sheet
Wiring, jumper, potentiometer settings and applications	Instruction sheet
Other thermostats	This section
Zone Actuators	Star Actuator section
Zone Valves	Star Valve section
Wiring Panels	Control Panels section
Warranty & pricing	Pricing & Terms section

 Indicates this output is protected by a switched 4 minute time delay

Flair pursues a policy of constant improvement. For this reason, all specifications are subject to change without notice.



FLAIR INTERNATIONAL CORPORATION

600 Old Willets Path • Hauppauge, New York 11788 • Tel: (516) 234-3600 • Fax: (516) 234-3610

TF11P2