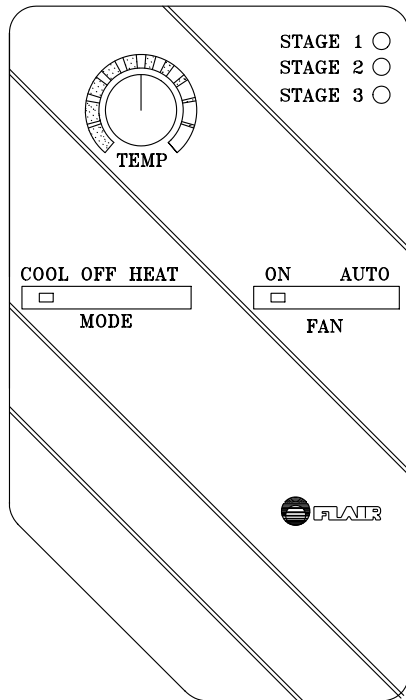


MECHANICAL HEATING/COOLING THERMOSTAT *series TM21*

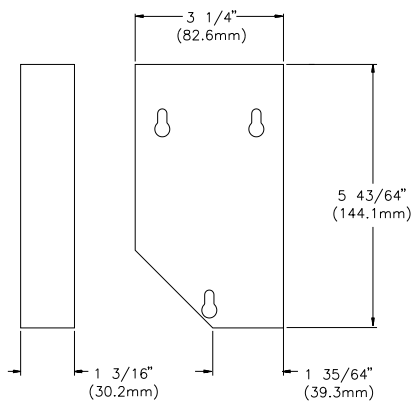
For central (main) or zoned control of heating and cooling systems. Available in a 1stage heat/1 stage cool version with manual changeover.



BENEFITS & SPECIAL FEATURES

- Mechanical temperature limiting and locking.
- Heat/Off/Cool switch (manual changeover).
- Continuous (on) or intermittent (auto) fan.
- Screw type wiring terminals.
- Sealed reed contact switching.
- Not subject to vibration, breakage, uneven mounting or environmental concerns of mercury bulb thermostats.
- System status indicators: LEDs show mode.
- Slotted mounting holes.
- Vertical mounting to wall or 2" X 4" junction box.
- No subbase or backplate required.
- Attractive modern design.
- Easy setting.
- System status indicators.
- Warmer/cooler scale standard.
- Fahrenheit and Celsius scale included.

DIMENSIONS

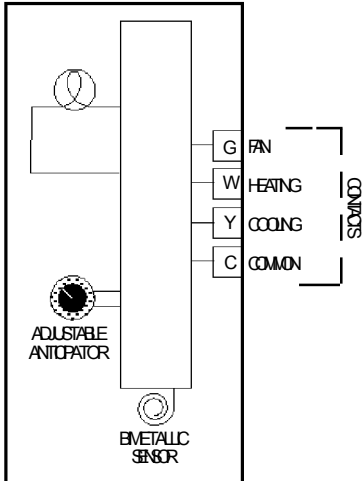


Thermostat

SPECIFICATIONS

Operating Voltage:	24 vac (-15%, +10%, 50-60 Hz)
Temperature Range:	50°F - 90°F (10°C - 32°C)
Temperature Differential:	
Heating:	approximately 1°F (.4°C)
Cooling:	approximately 1°F (.4°C)
Between stages:	2° F (.8°C)
Anticipator:	Adjustable from .3 to 1 amp (some models)
Calibration:	not required
Sensor System:	
Standard:	Bimetal with Reed Switch
Switches:	
Slide:	SYSTEM: HEAT/OFF/COOL
Slide:	FAN: ON/AUTO
Rotating:	SET TEMPERATURE
Indicator LED's:	Heat (red)
	Cool (blue)
Security:	Mechanical temperature limiting and locking
Dimensions of Unit:	5.6 x 2.9 x 1.18 Inches (143.4 x 74.2 x 30.2 mm)
Weight:	.4 lbs. (880g)

MODEL NUMBERS AND DESCRIPTIONS FOR VARIOUS APPLICATIONS



Model Number: TM211120
 Description: 1 stage heat, 1 stage cool
 Adjustable Anticipator

Switching Current at 24 VAC:
 Cooling: 1 A
 Heating: 1 A
 Fan: 1 A

APPLICATIONS

- Central (main) heating or cooling.
- Zone heating or cooling.
- Residential (Single or multi-family Apartments, Condominiums, Co-ops).
- Commercial (Stores, Restaurants, Offices).
- Industrial.
- Institutional (Hospitals, Hotels, Motels).

ACCESSORIES

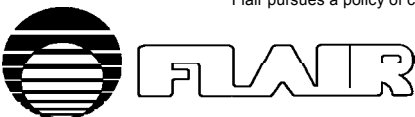
Transformers:
 40 VA TR140100
 20 VA TR120100

Relay Transformers:
 20 VA (2) SPST 120 VAC relay TR440200
 20 VA (1) SPST 120 VAC relay TR440300

REFERENCES

<u>For More Information On:</u>	<u>See:</u>
Wiring, jumper, anticipator settings and applications	Instruction sheet
Other thermostats	This section
Zone Actuators	Star Actuator section
Zone Valves	Star Valve section
Wiring Panels	Control Panels sect.
Suggested pricing	Price section
Warranty	Warranty section

Flair pursues a policy of constant improvement. For this reason, all specifications are subject to change without notice.



FLAIR INTERNATIONAL CORPORATION

600 Old Willets Path • Hauppauge, New York 11788 • Tel: (516) 234-3600 • Fax: (516) 234-3610