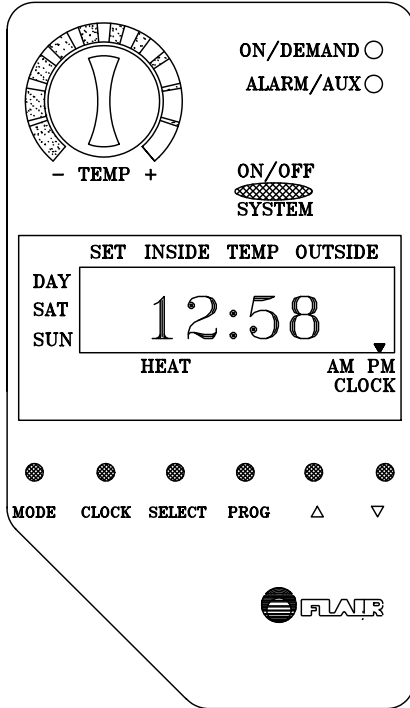


## PROGRAMMABLE ELECTRIC HEAT THERMOSTAT *series TP40*

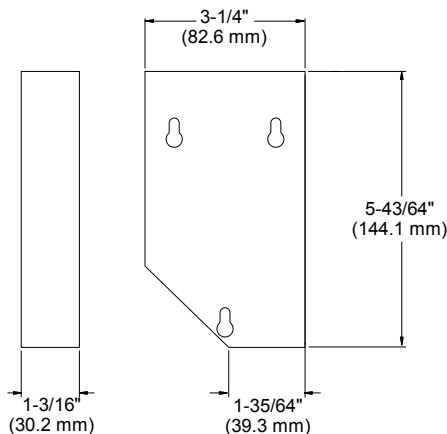
For line voltage control of electric baseboard, element, kick space or wall heaters.



### BENEFITS & SPECIAL FEATURES

- 4 daily programs for M-F, Sat. and Sun.
- Digital 12/24 hour real time clock.
- Ten year lithium battery for back up during power outages.
- Easy programming—Easy setting.
- Large, easy to read, LCD display.
- Temperature display—set point, inside and outside air—in F° or C°.
- System status indicators.
- Learned response feature adjusts for changing climate.
- Manual on/off override.
- Temporary override with automatic resumption of program.
- Vacation mode—up to 365 days.
- Electronic program and temperature limiting and and locking.
- Low and high limit temperature alarms can activate a dry contact to switch an external control.
- Temperature setback reduces energy costs.
- Single pole/single throw and double pole /single throw models.
- Models to accomodate 120/208/230/277 vac.
- No sub-base required.
- Attractive modern design.

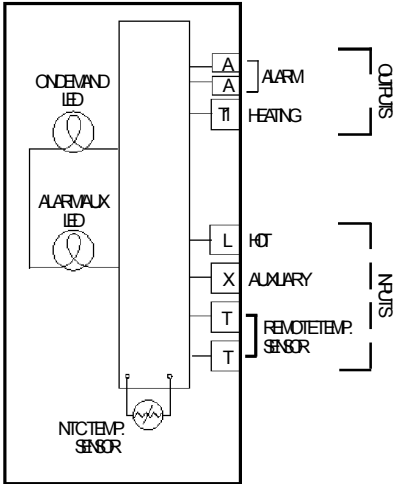
### DIMENSIONS



### SPECIFICATIONS

Operating Voltage:	120/208/230/277 vac (-15%, +10%, 50-60 Hz)
Temperature Range:	50°F - 90°F (10°C - 32°C)
Temperature Differential:	
Heating:	approximately ±0.8°F (.4°C)
Sensor System:	Negative Temperature Coefficient (NTC)
Standard:	internal
Optional:	remote temperature
Optional:	outside air temperature
Switches:	
Push-button:	MODE/CLOCK/SELECT/PROG/UP/DOWN
Push-button:	SYSTEM: ON/OFF
Rotating:	set TEMPERATURE
Indicator LED's:	ON (Steady Green) / DEMAND (Flashing Green)
	ALARM (Flashing Red) / AUX (Steady Red)
Display:	LCD, 4 character, .5" (1.27 cm) height.
Security:	4 digit user selectable code
Dimensions:	5 <sup>43</sup> / <sub>64</sub> x 3 <sup>1</sup> / <sub>4</sub> x 1 <sup>3</sup> / <sub>16</sub> Inches (144.1 x 82.6 x 30.2 mm)

# MODEL NUMBERS AND DESCRIPTIONS FOR VARIOUS APPLICATIONS



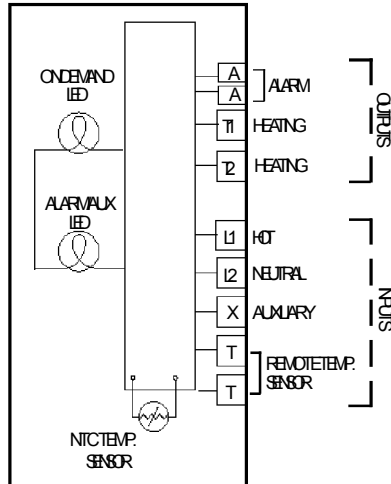
Model Number: TP401040; 120 vac

Description: Electric heat SPST

Switching Current at at rated voltage:

120 vac: minimum 22 Amps  
Alarm: minimum 1 Amp

Weight: .4 lbs. (880 g)



Model Number: TP401090; 208 vac

Model Number: TP401070; 230 vac

Model Number: TP401090; 277 vac

Description: Electric heat DPST

Switching Current at at rated voltage:

208 - 277 vac: minimum 19 Amps  
Alarm: minimum 1 Amp

Weight: .4 lbs. (880 g)

Note: In a 3-phase system, the thermostat must break neutral to heater, not system neutral.

## ACCESSORIES

Remote Temperature Sensor	TX101001
Outside Air Temperature Sensor	TX101021
Backplates may be used to cover large holes in walls or mount to utility boxes:	
horizontal	TX201001
vertical	TX202001
square	TX203001
Transformers:	
40 VA	TR140100
20 VA	TR120100
Relay Transformers:	
20 VA (2) SPST 120 VAC relay	TR440200
20 VA (1) SPST 120 VAC relay	TR440300

## APPLICATIONS

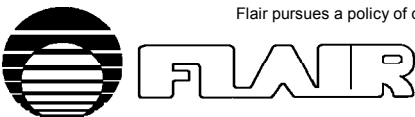
- Zone heating.
- Residential (Single or multi-family, Apartments, Co-ops, Condominiums).
- Commercial (Stores, Restaurants, Offices).
- Industrial
- Institutional (Hospitals, Hotels, Motels).

## REFERENCES

For More Information On:	See:
Remote model	TQ40 data sheet
Wiring, jumper, potentiometer settings and applications	Instruction sheet
Other thermostats	This section
Wiring Panels	Control Panels section
Warranty & pricing	Pricing & Terms section



Flair pursues a policy of constant improvement. For this reason, all specifications are subject to change without notice.



FLAIR INTERNATIONAL CORPORATION

600 Old Willets Path • Hauppauge, New York 11788 • Tel: (516) 234-3600 • Fax: (516) 234-3610

TP40P2