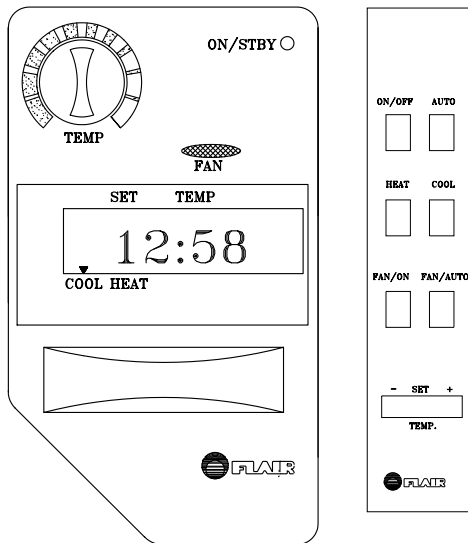


## ELECTRONIC OCCUPANCY SENSING THERMOSTAT *series TT21*

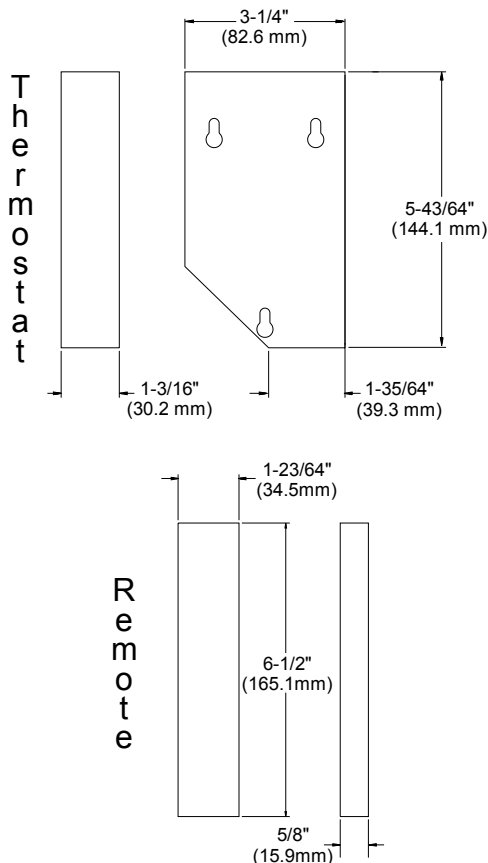
For central (main) or zoned control of heating and cooling systems, lighting and auxiliary equipment based on occupancy.



### BENEFITS & SPECIAL FEATURES

- Automatic setback (heating) and setup (cooling) when area is unoccupied.
- Logic circuits accurately read occupancy.
- Adjustable recovery time.
- No door switch required.
- 4 minute time delay for compressor protection (may be bypassed).
- Remote temperature sensor (optional).
- Return air temperature sensor (optional).
- Manual on/off override.
- Electronic locking and limiting.
- Temperature limit alarm can optionally switch external contact.
- Continuous (on) or intermittent (auto) fan control.
- System status indicators.
- Models to accommodate 24/120/208/230/277 VAC.
- Auxiliary input from external sensor triggers LED.
- Infra-red remote control internal receiver (standard).
- Infra-red remote control transmitter (optional).
- Infra-red remote control external receiver (optional).

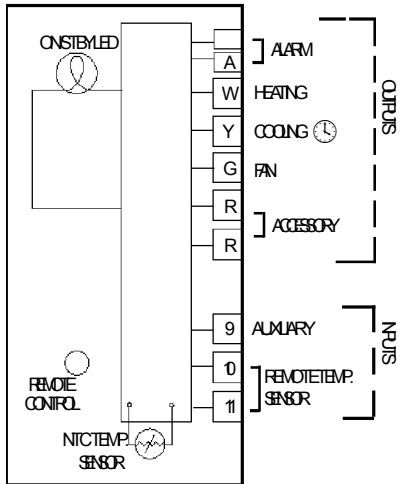
### DIMENSIONS



### SPECIFICATIONS

Operating Voltage:	24/120/208/230/277 VAC, 50-60 Hz
Switching Current at rated voltage:	
Cooling:	10 A
Heating:	10 A
Fan:	10 A
Temperature Range:	50°F - 90°F (10°C - 32°C)
Temperature Differential:	
Heating:	approx. ±0.8°F (.4°C)
Cooling:	approx. ±0.8°F (.4°C)
Sensor System:	Negative Temperature Coefficient (NTC)
Standard:	internal
Optional:	remote temp. sensor
Optional:	return air sensor
Optional:	Remote external motion sensor
Switches:	
Push-button:	FAN: ON/AUTO
Rotating:	SET TEMPERATURE
Indicator LED's:	ON (Steady Green) / STBY (Flashing Green)
Security:	Temperatures can be electronically locked and limited.
Dimensions:	5.6 x 2.9 x 1.18 Inches (143.4 x 74.2 x 30.2 mm)
Remote:	6 1/2 x 1 23/64 x 5/8 Inches (165.1 x 34.5 x 15.9 mm)
Remote Control Transmitter (optional):	7-button infra-red
Battery:	(2) AAA
Range:	36' (10 meters)
Remote Control Receiver (optional):	infra-red
Range:	36' (10 meters)

# MODEL NUMBERS AND DESCRIPTIONS FOR VARIOUS APPLICATIONS



Model Number: TT211120; 24 VAC  
 TT211130; 100 VAC  
 TT211140; 120 VAC  
 TT211150; 208 VAC  
 TT211160; 220 VAC  
 TT211170; 230 VAC  
 TT211180; 240 VAC  
 TT211190; 277 VAC

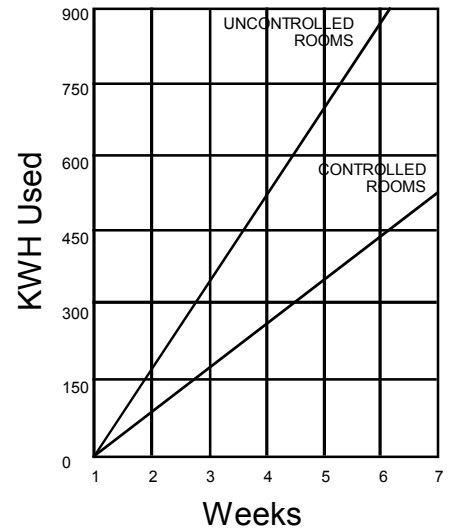
Description: 1 stage heating and cooling with remote control  
 Weight: .4 lbs. (880 g)

⌚ Indicates this output is protected by a 4 minute time delay.

## HOTEL ROOM ENERGY USE IN TYPICAL 24 HOUR PERIOD

TO BE PASTED IN.

## Illustration of KWH Savings Using Occupancy Sensing Thermostat in a Typical Hotel, Motel or Office



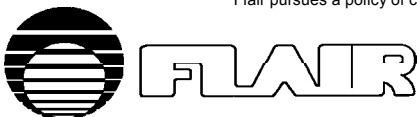
## ACCESSORIES

- Remote Temperature Sensor TR000100
- Return Air Temperature Sensor TR000100
- Remote External Motion Sensor XXX
- Remote Control Transmitter TX502001  
(Compatible with internal and external remote control receivers.)
- Remote Control Receiver (external) TX503001  
(Up to 5 receivers may be daisy chained to thermostat and placed at remote locations—relays signal from remote control transmitter to thermostat.)
- Backplates may be used to cover large holes in walls or mount to utility boxes:
  - horizontal TX201001
  - vertical TX202001
  - square TX203001

## REFERENCES

For More Information On:	See:
Wiring, jumper, settings and applications	Instruction sheet
Other thermostats	This section
Zone Actuators	Star Actuator section
Zone Valves	Star Valve section
Wiring Panels	Control Panels sect.
Warranty & pricing	Pricing & Terms section

Flair pursues a policy of constant improvement. For this reason, all specifications are subject to change without notice.



FLAIR INTERNATIONAL CORPORATION

600 Old Willets Path • Hauppauge, New York 11788 • Tel: (516) 234-3600 • Fax: (516) 234-3610

TT21P2